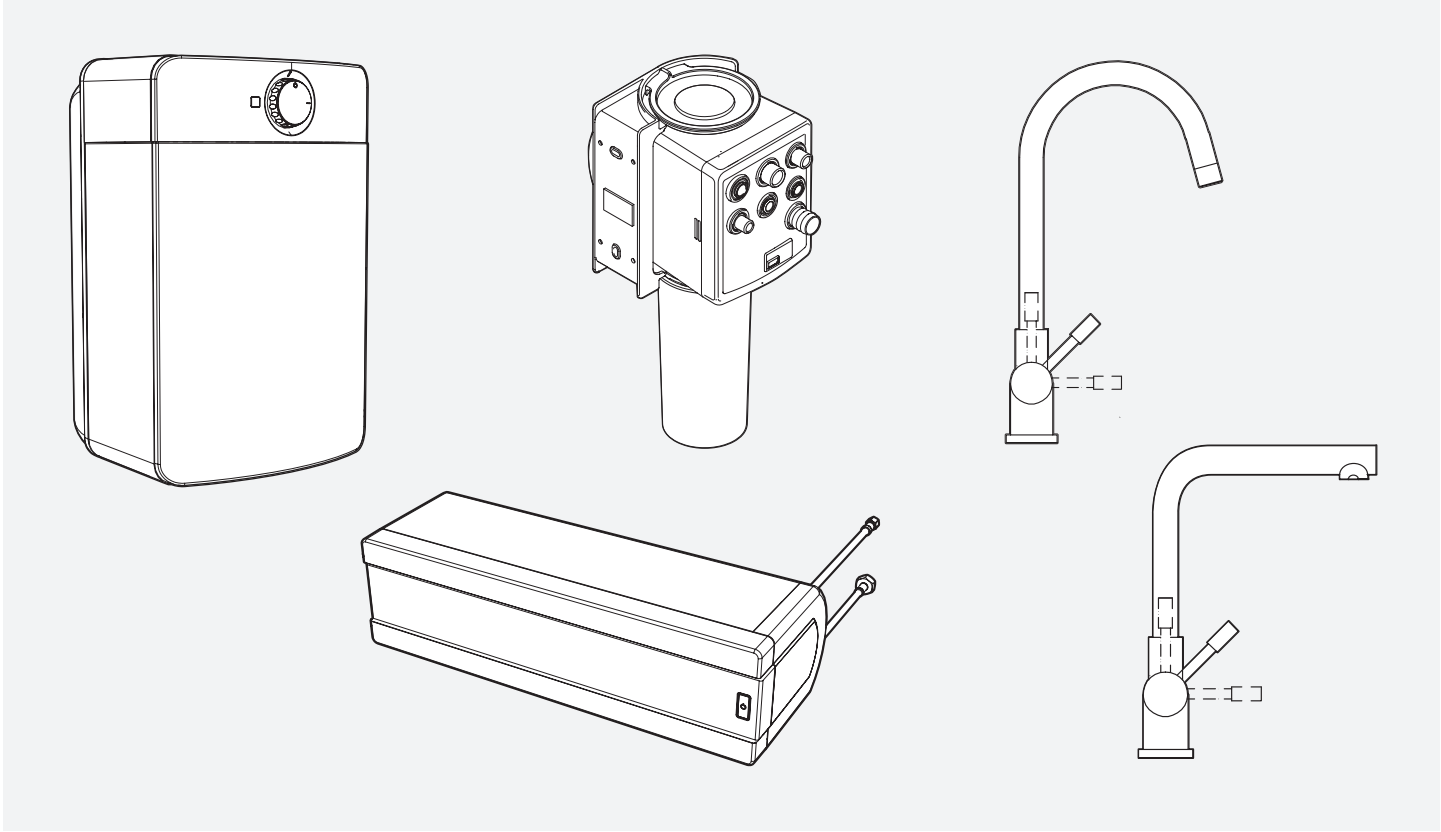


3-IN-1 INSTANT BOILING WATER SYSTEM

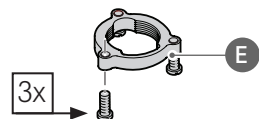
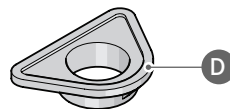
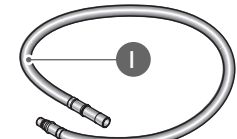
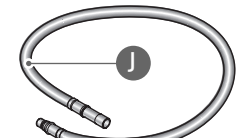
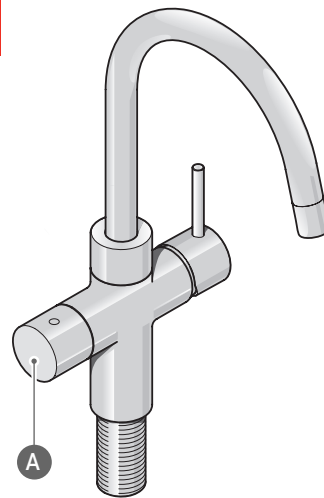
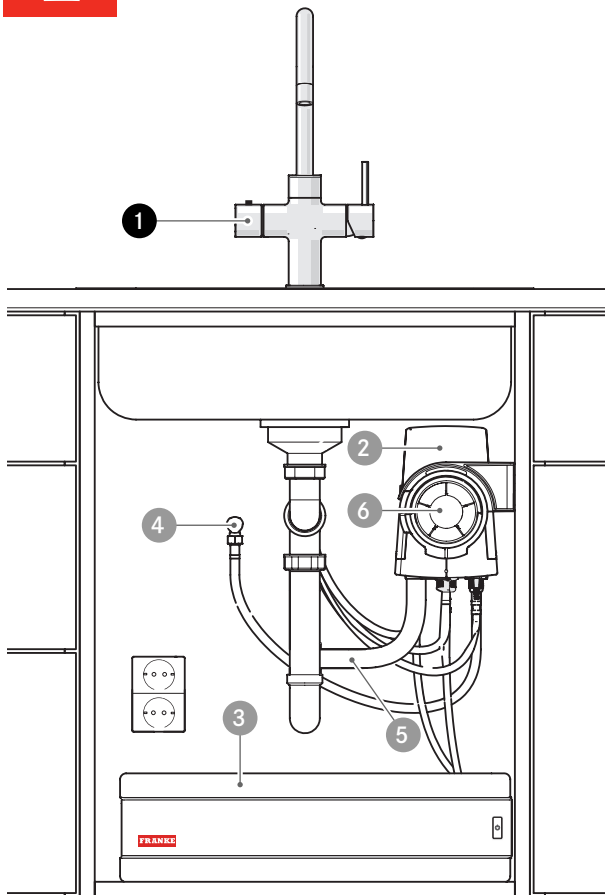
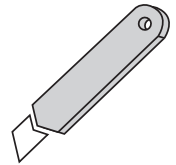
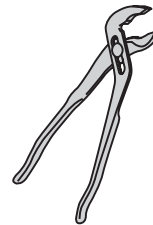
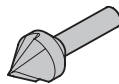
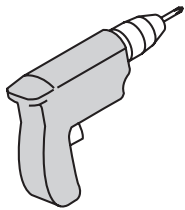
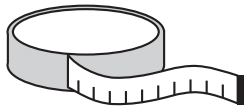
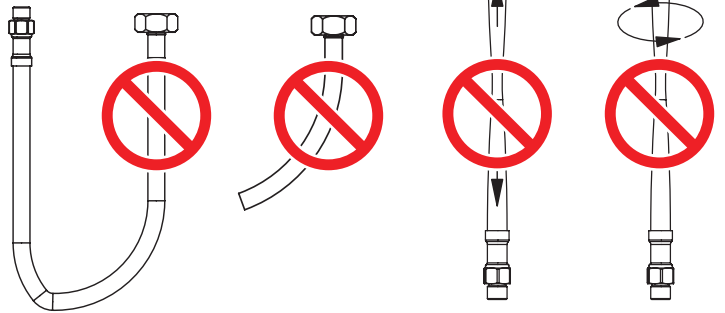


EN Installation and user manual

3-in-1 Instant boiling water system

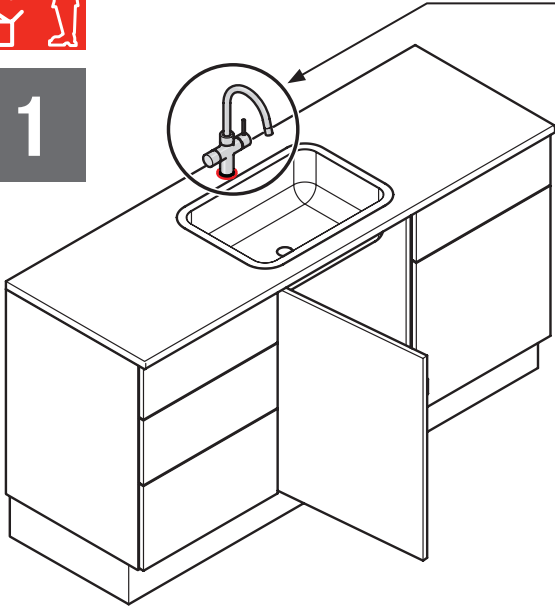
*Make
it
Wonderful*







1



RVS ✓

Chrome ✓

min 40 mm

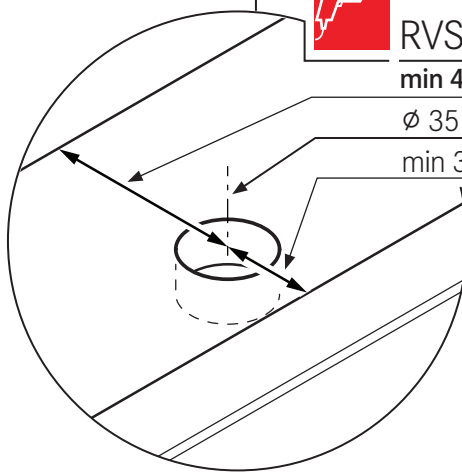
min 60 mm

Ø 35 mm

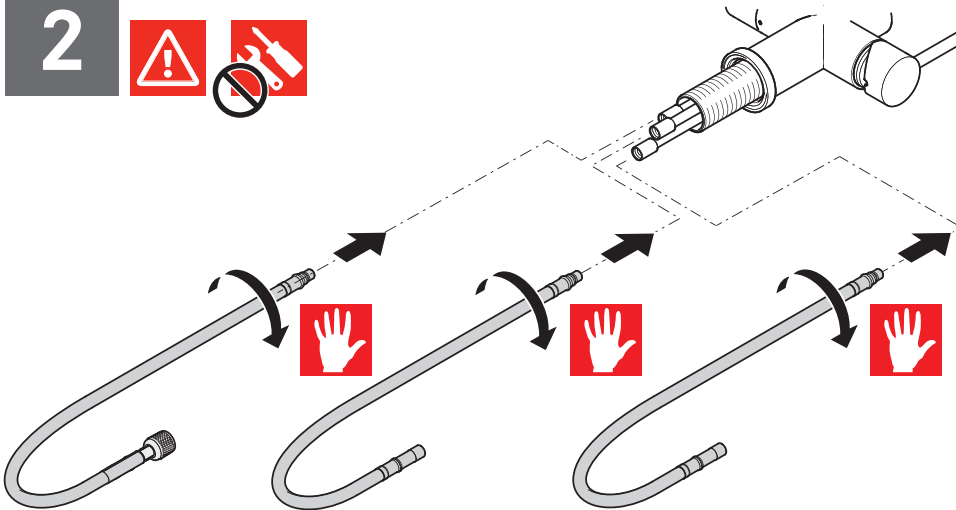
Ø 35 mm

min 30 mm

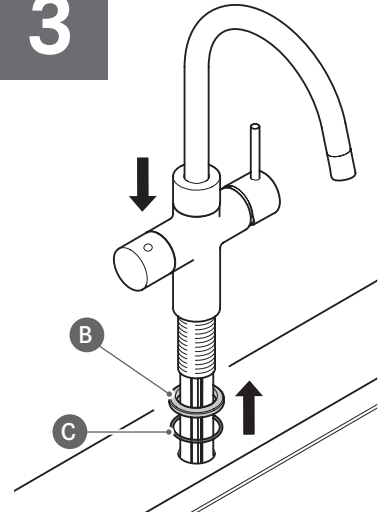
min 30 mm



2



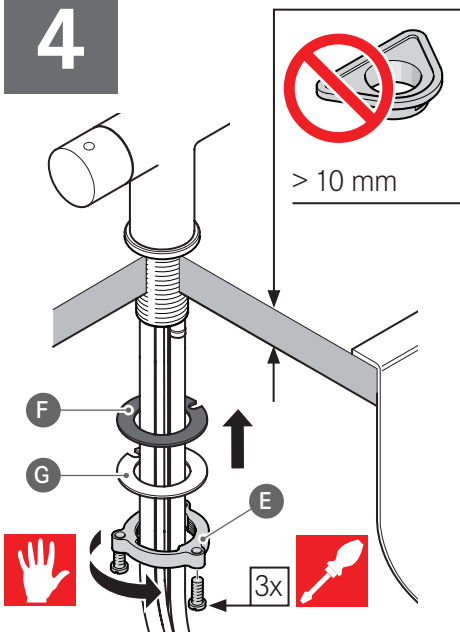
3



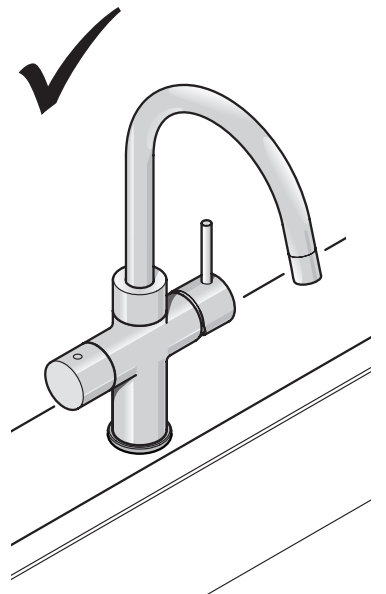
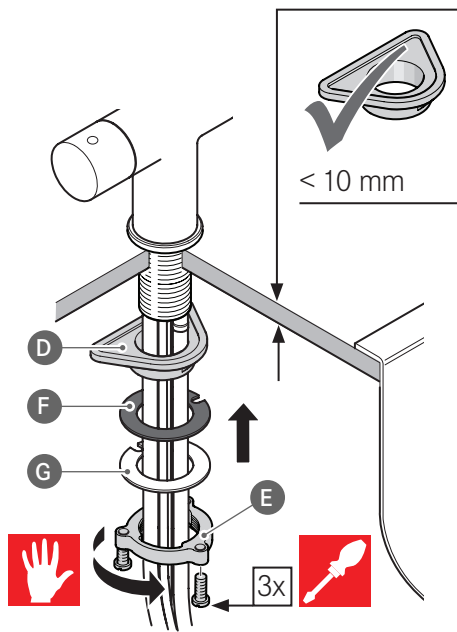
4

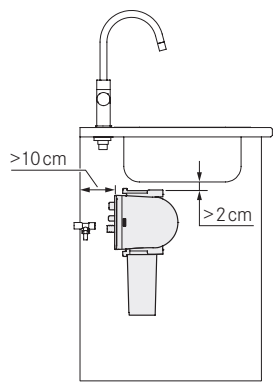
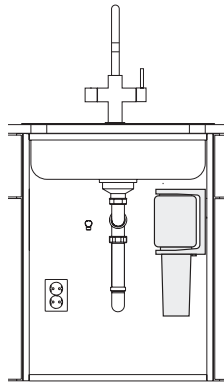
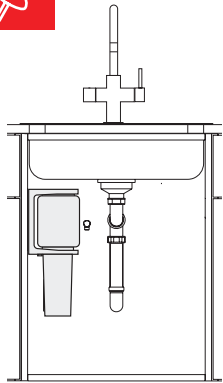
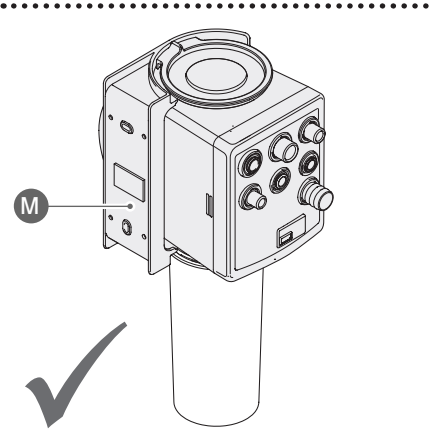
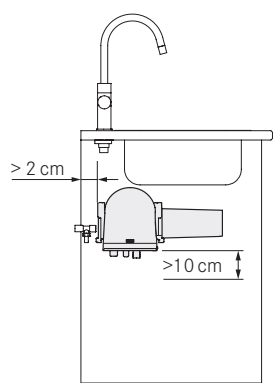
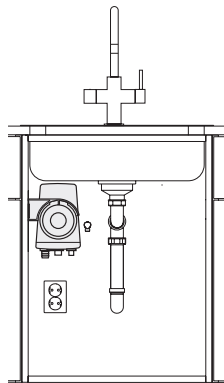
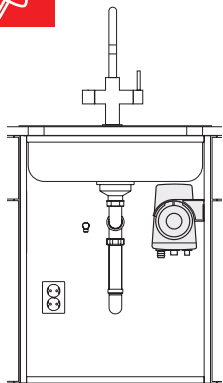
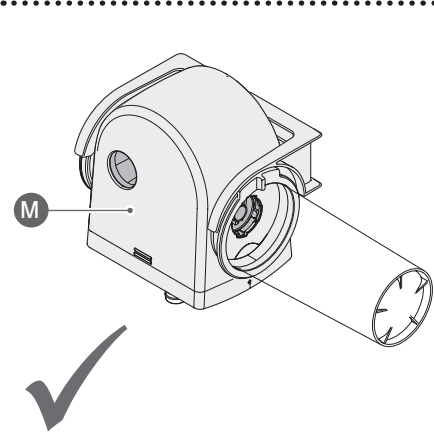
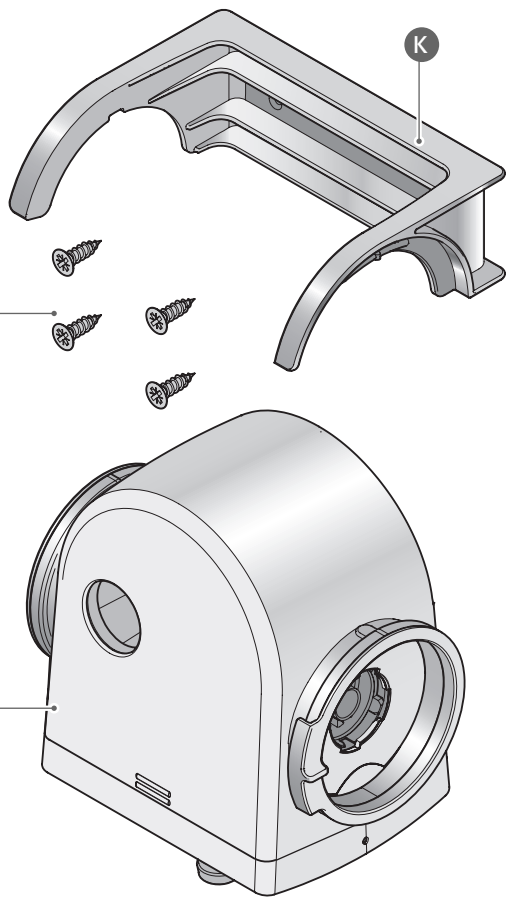
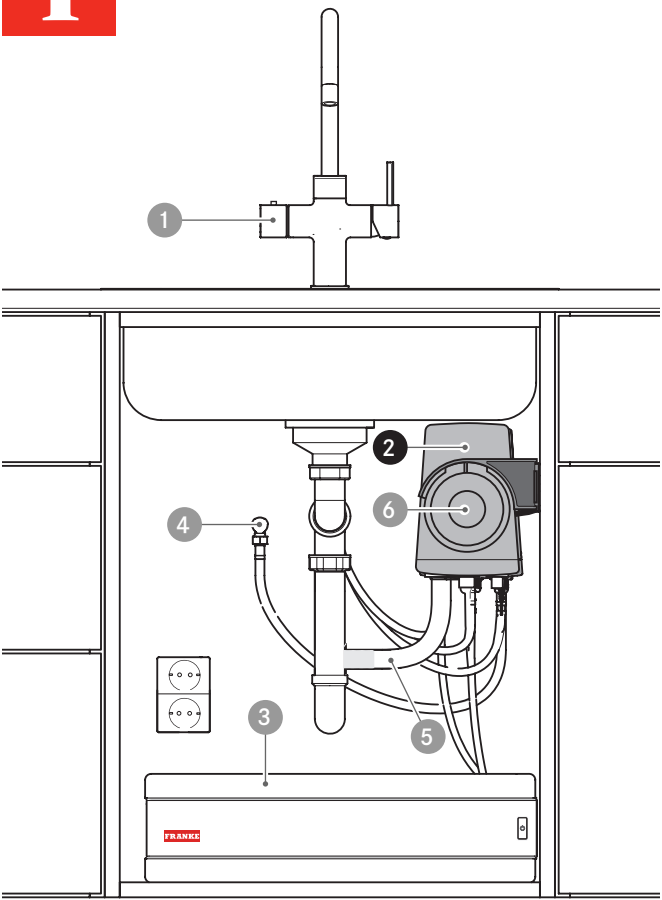


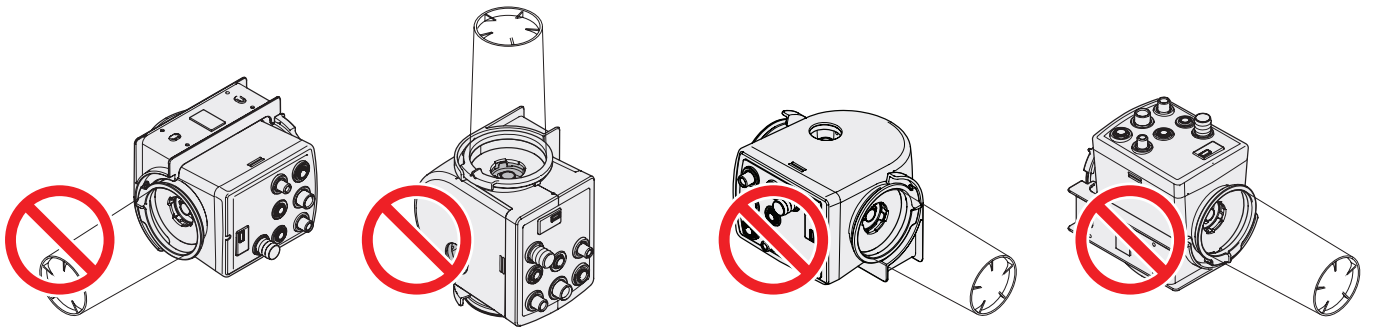
> 10 mm



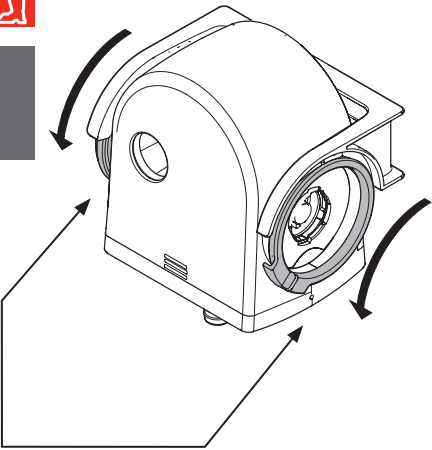
< 10 mm



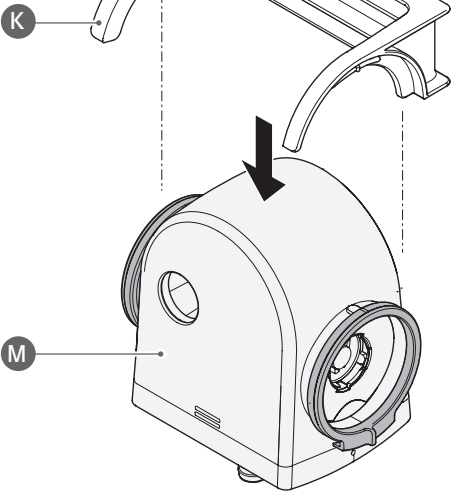




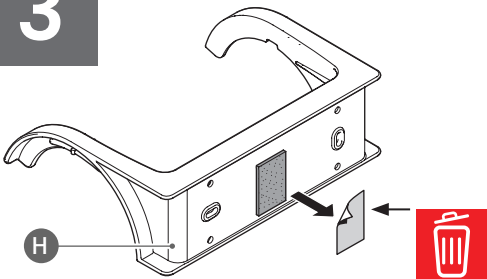
1



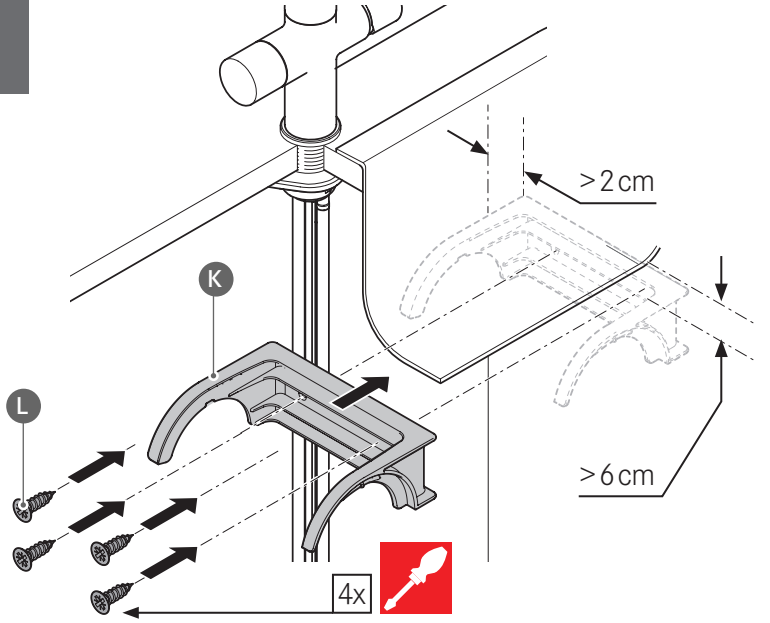
2



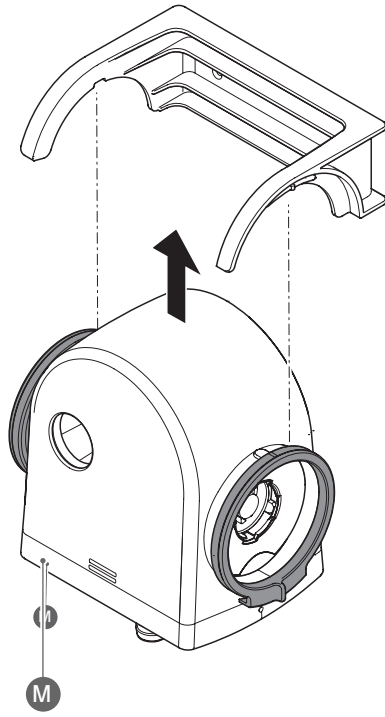
3



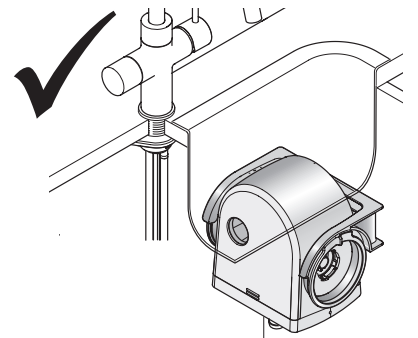
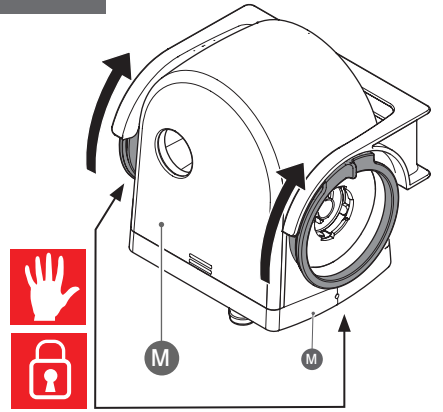
4

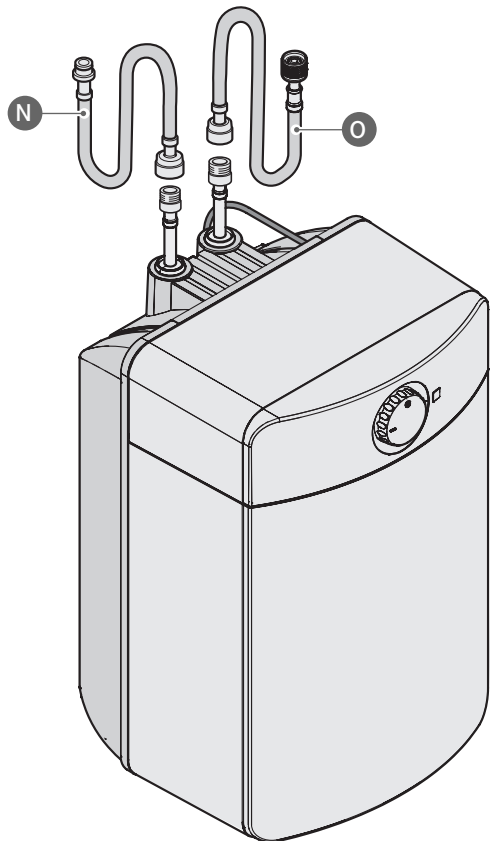
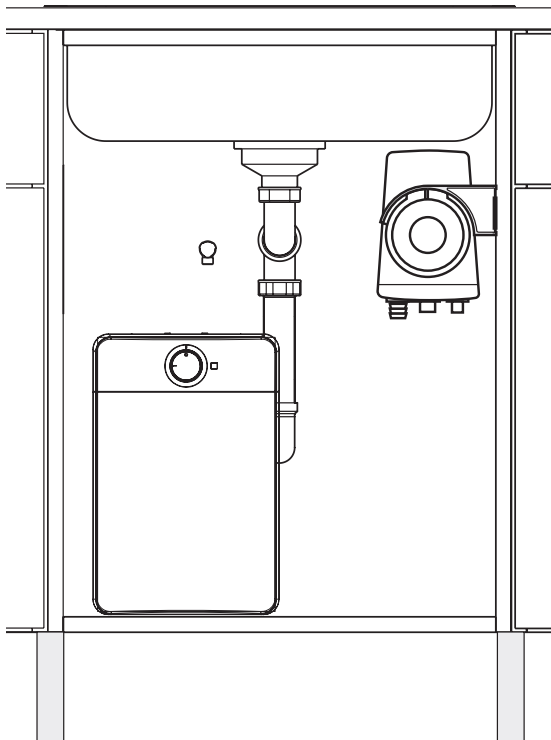
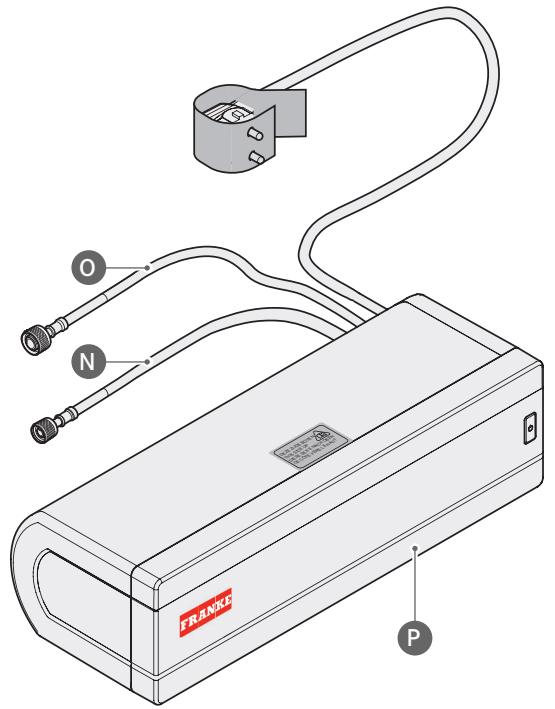
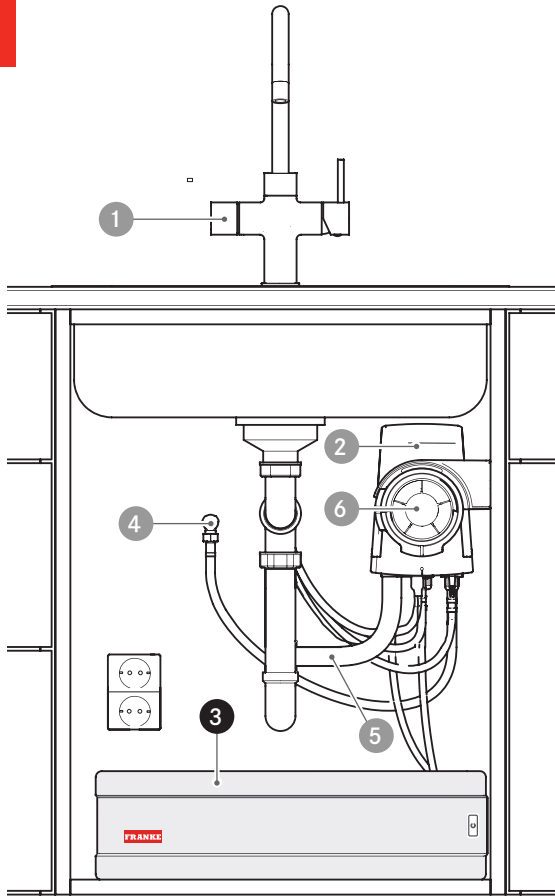


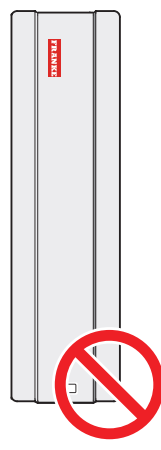
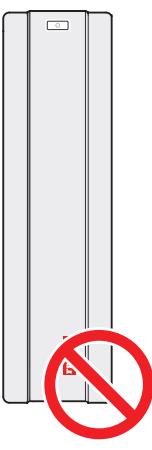
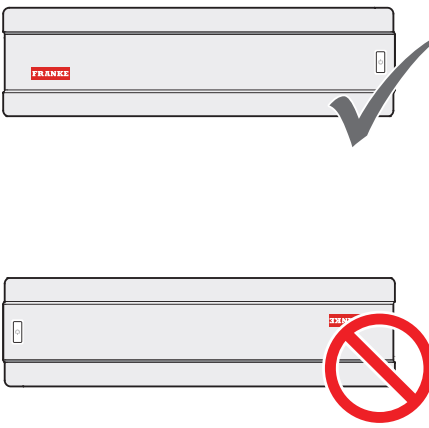
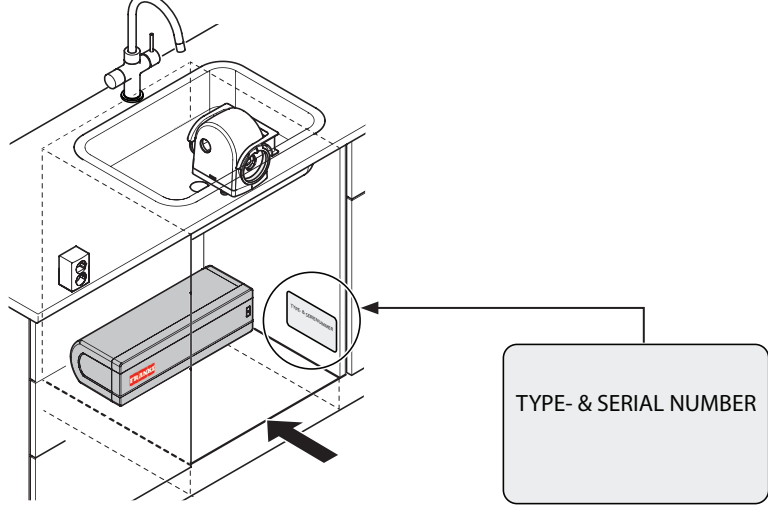
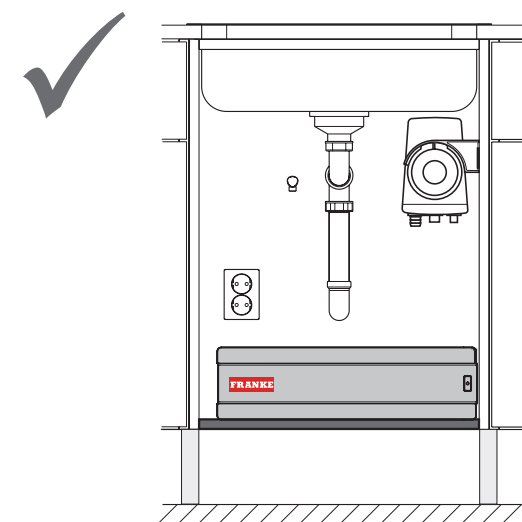
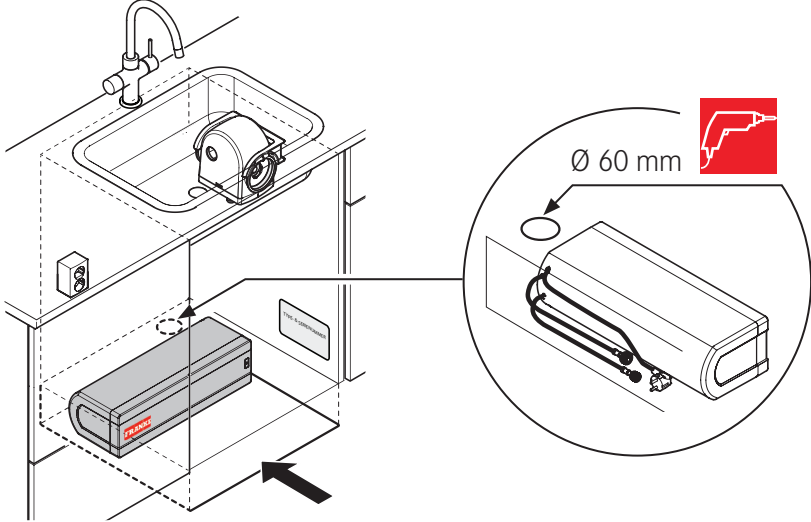
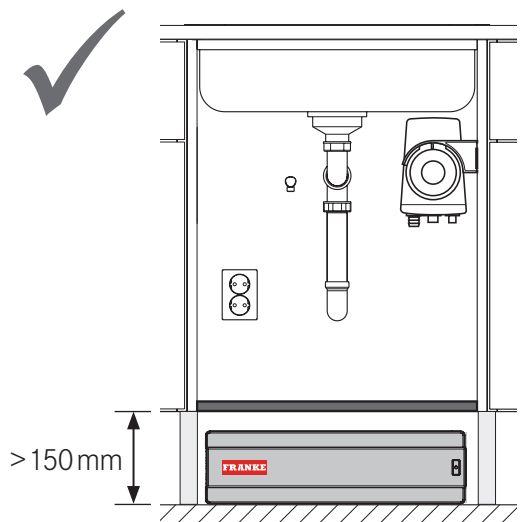
5

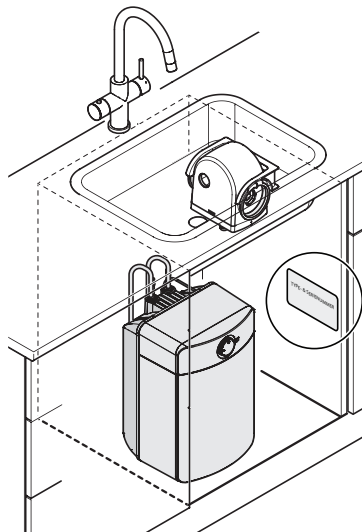
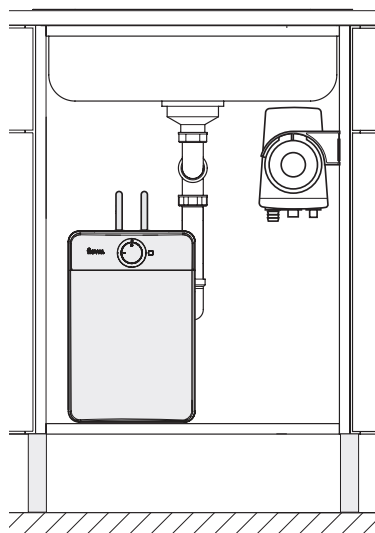


6

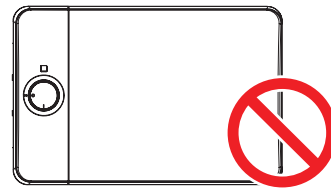
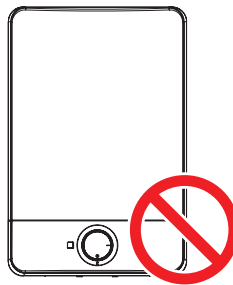
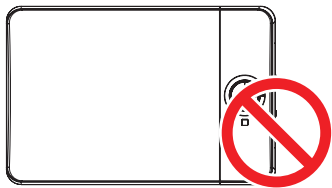
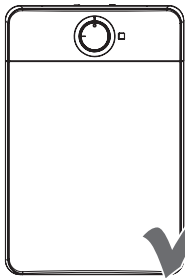




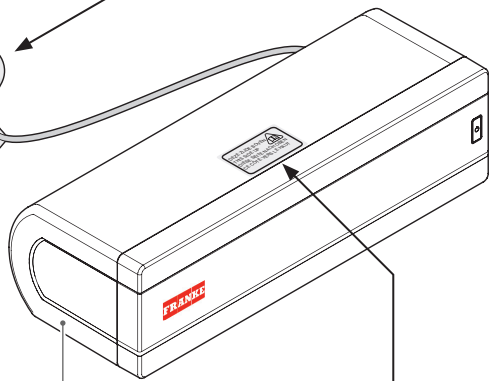




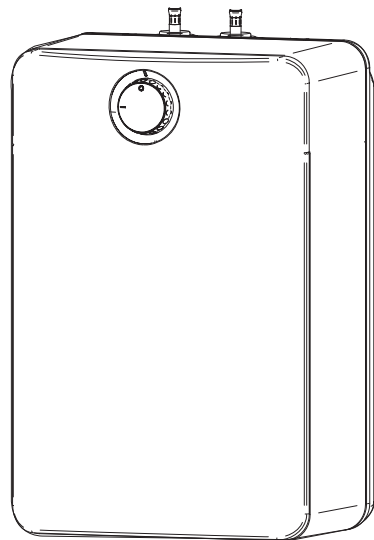
TYPE- & SERIAL NUMBER



FIRST FILL THE WATER HEATER WITH WATER!
REPLIR D'ABORD LE BOILER AVEC L'EAU!
VUL EERST DE BOILER MET WATER!
ZUERST DEN SPEIGER MIT WASSER FÜLLEN!

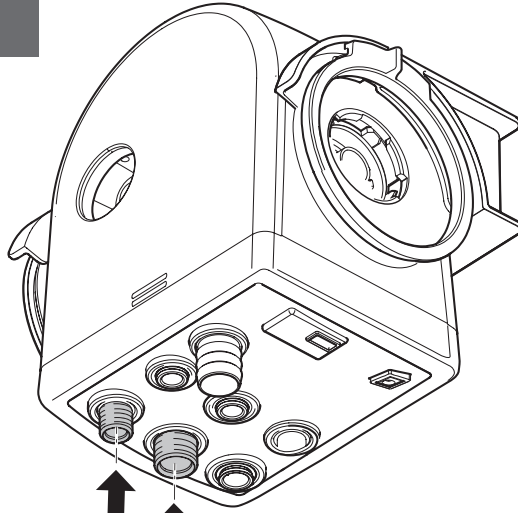


DEZE ZIJDE BOVEN
THIS SIDE UP
DIESE SEITE NACH OBEN
CE CÔTÉ VERS LE HAUT





1



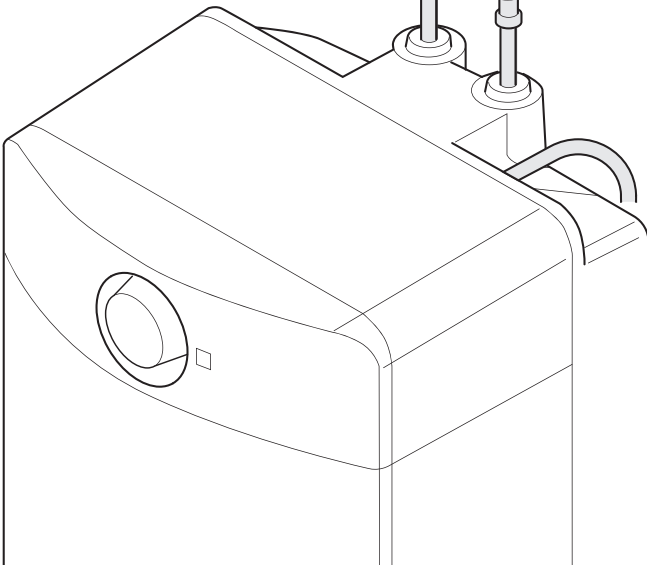
N

O

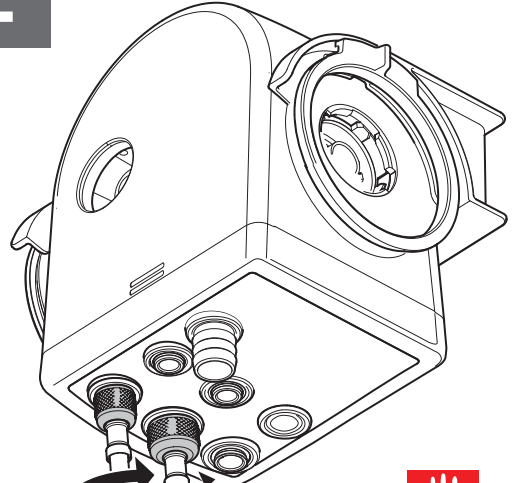


N

O

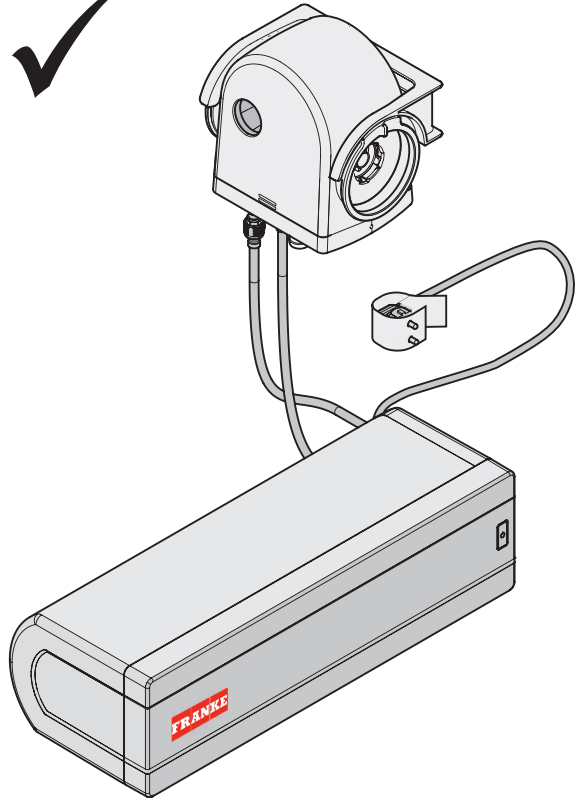


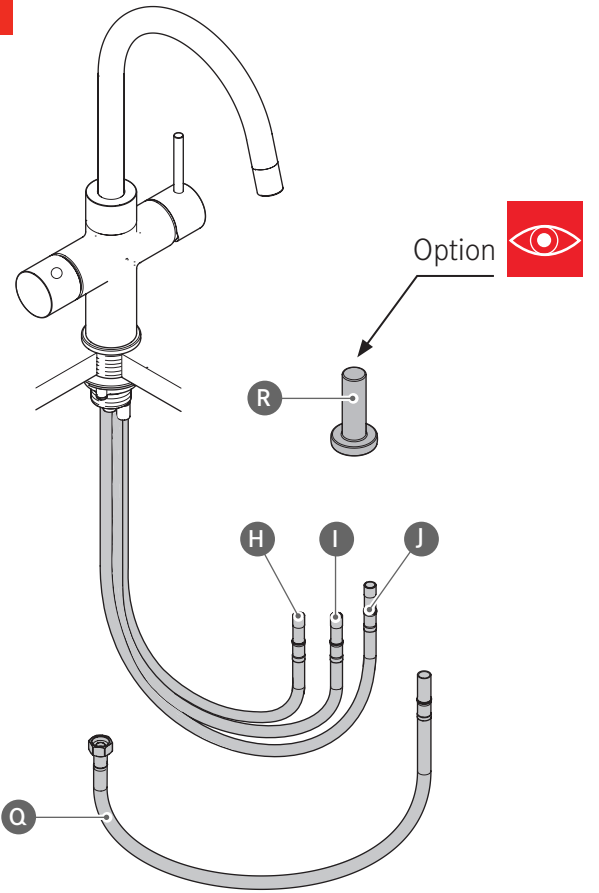
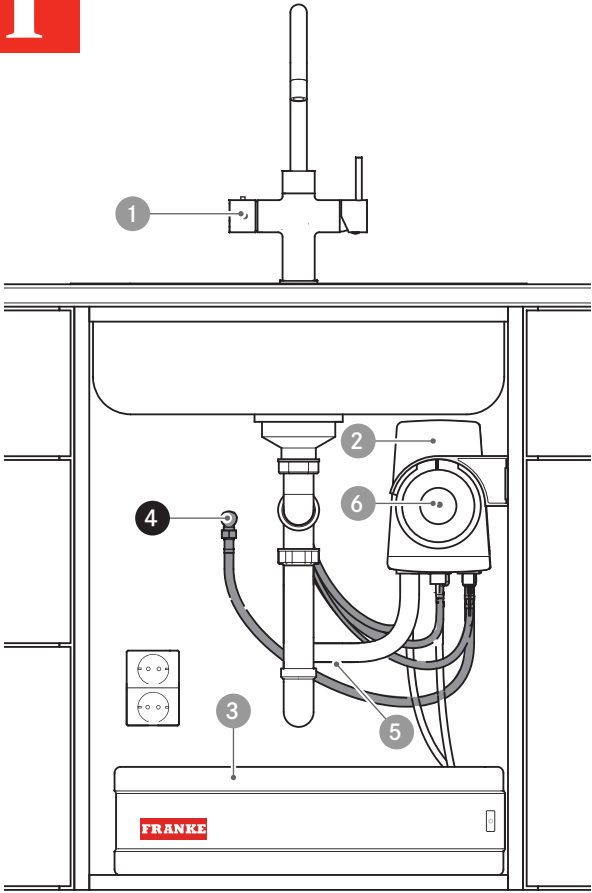
2



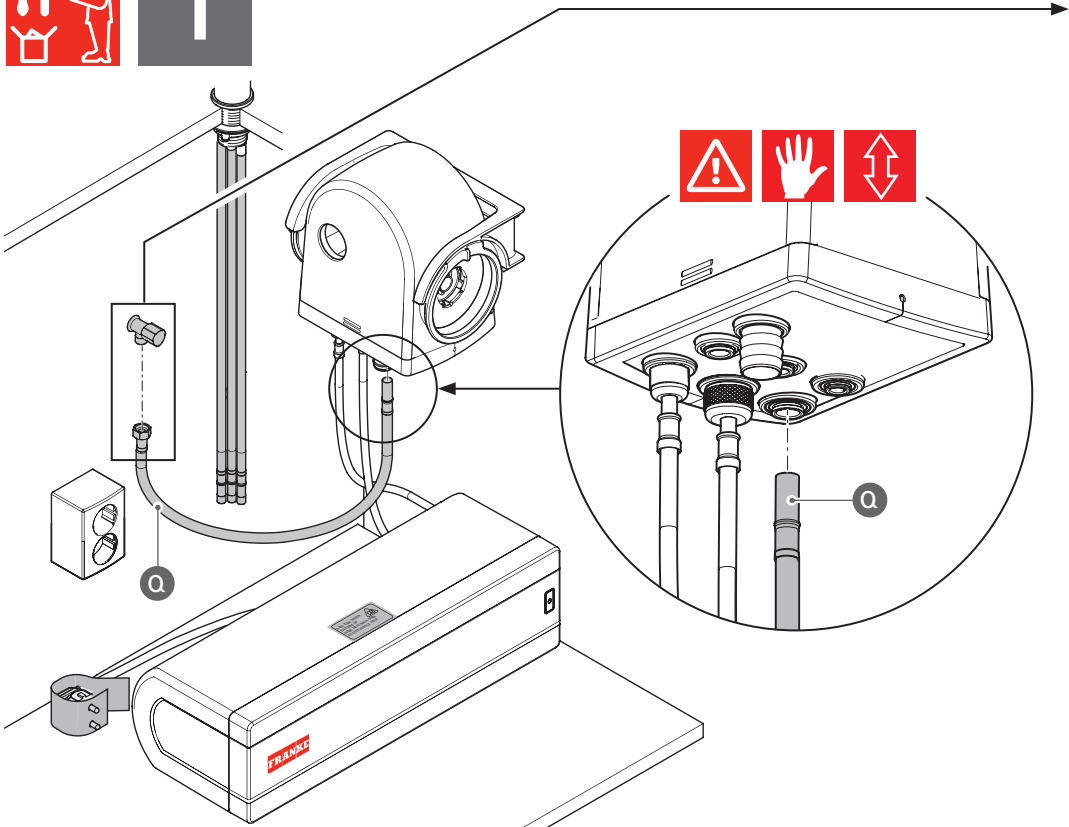
N

O





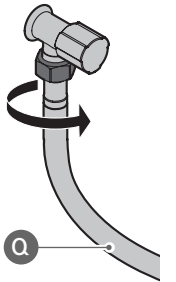
1



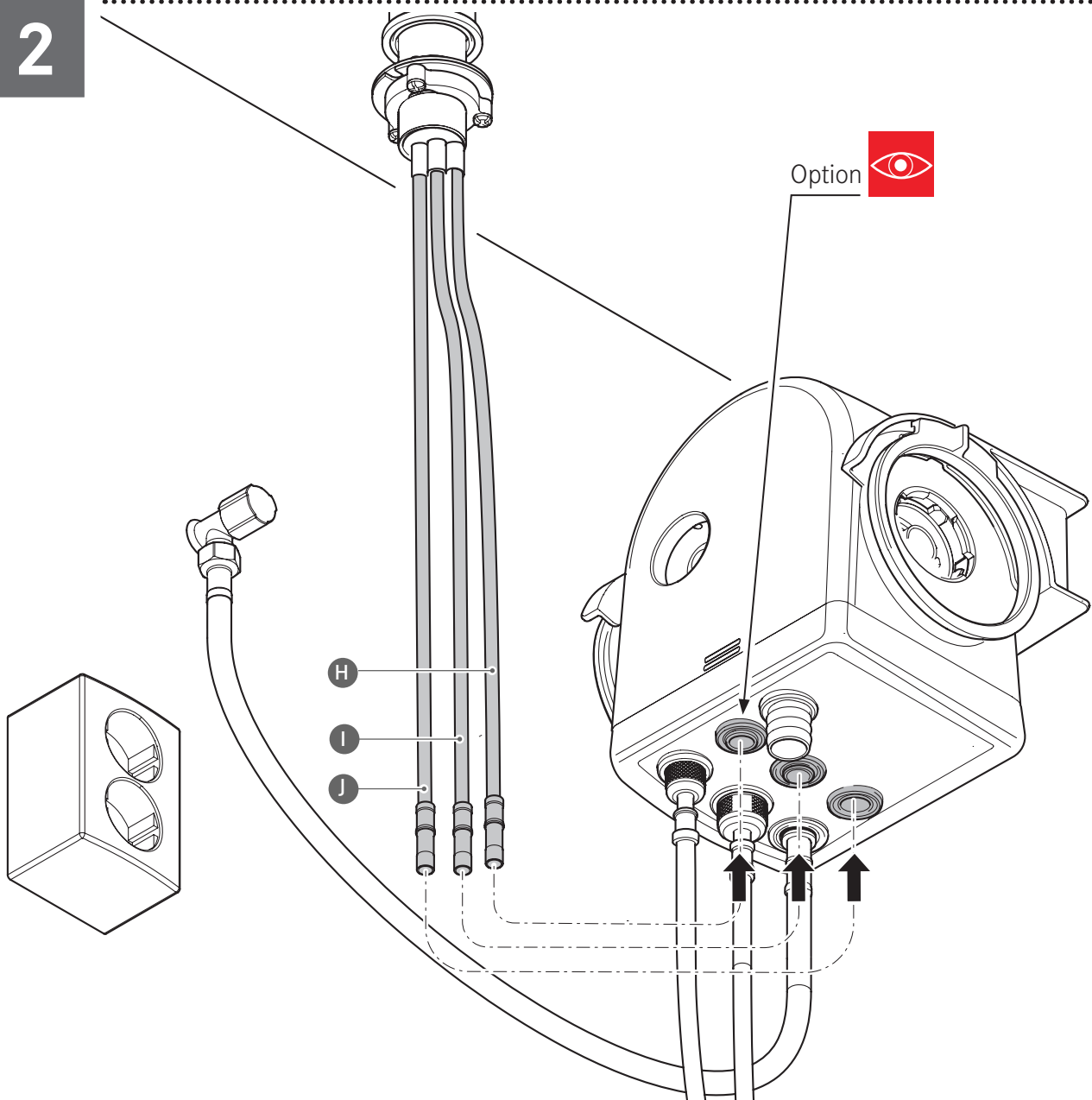
1



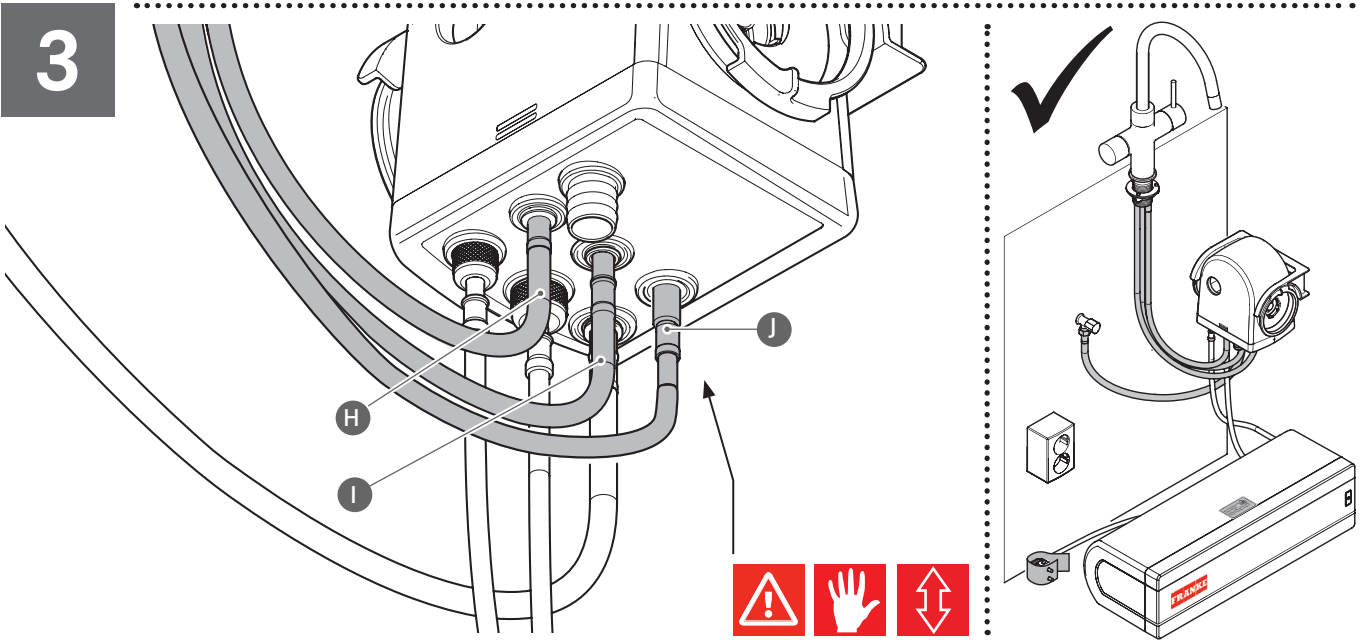
2



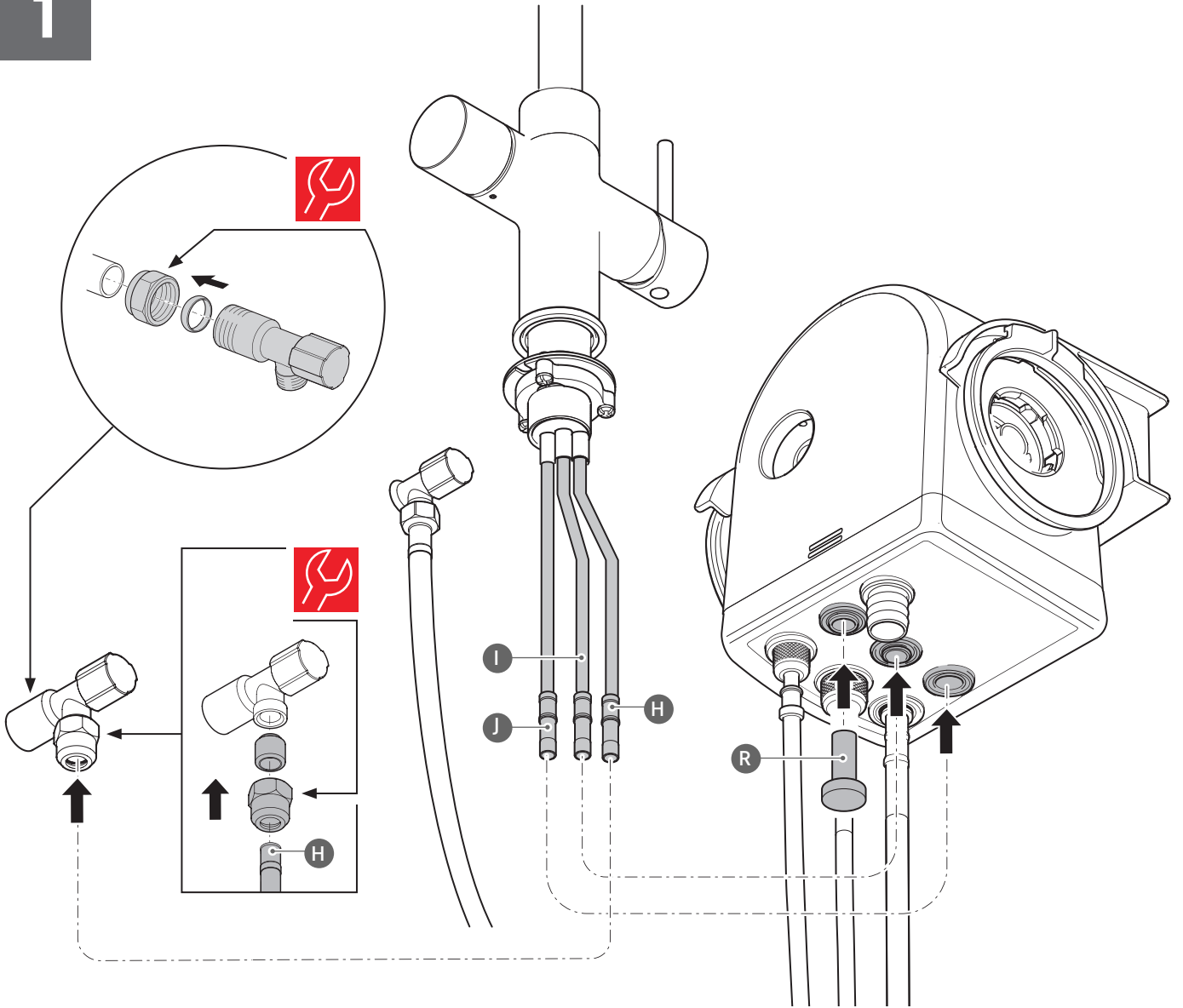
2



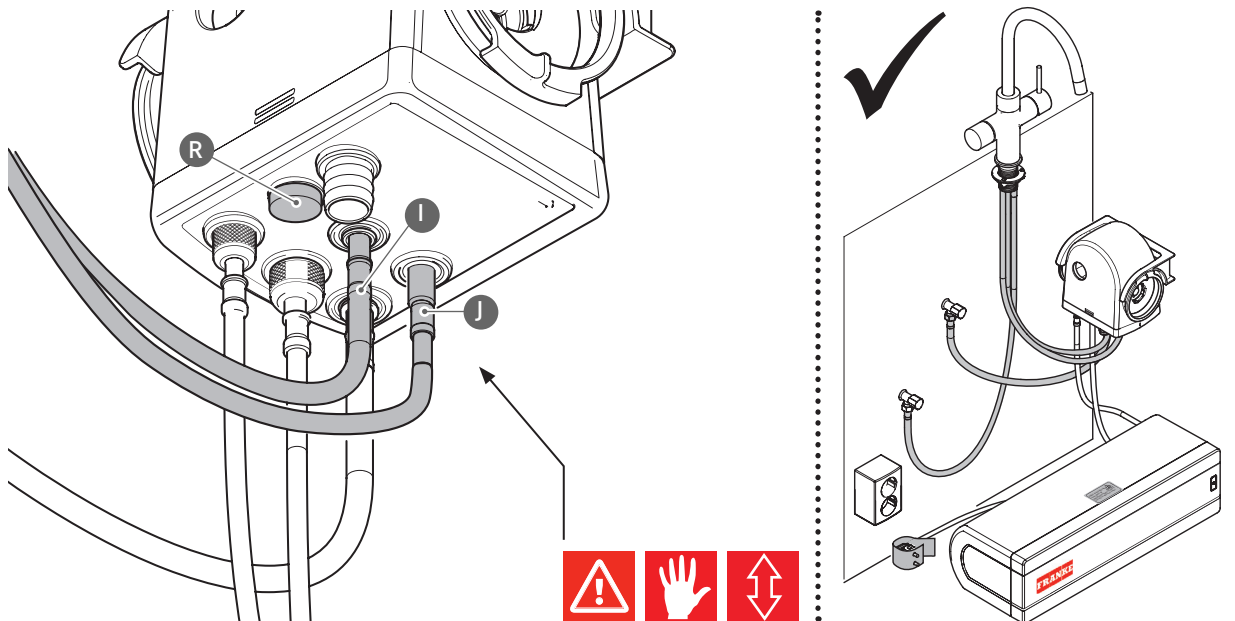
3

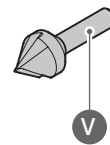
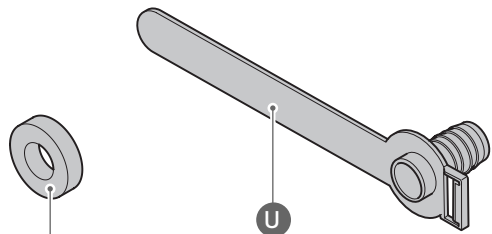
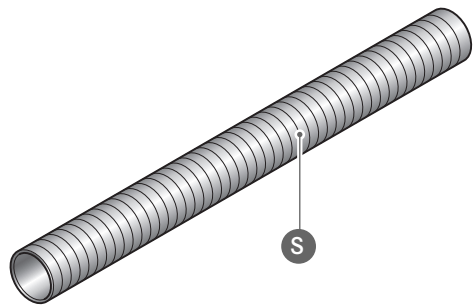
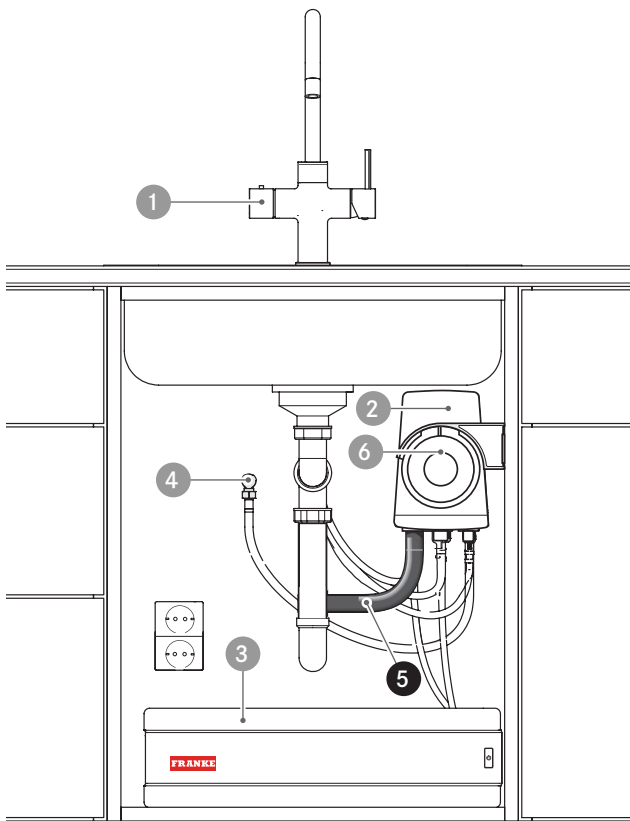


1

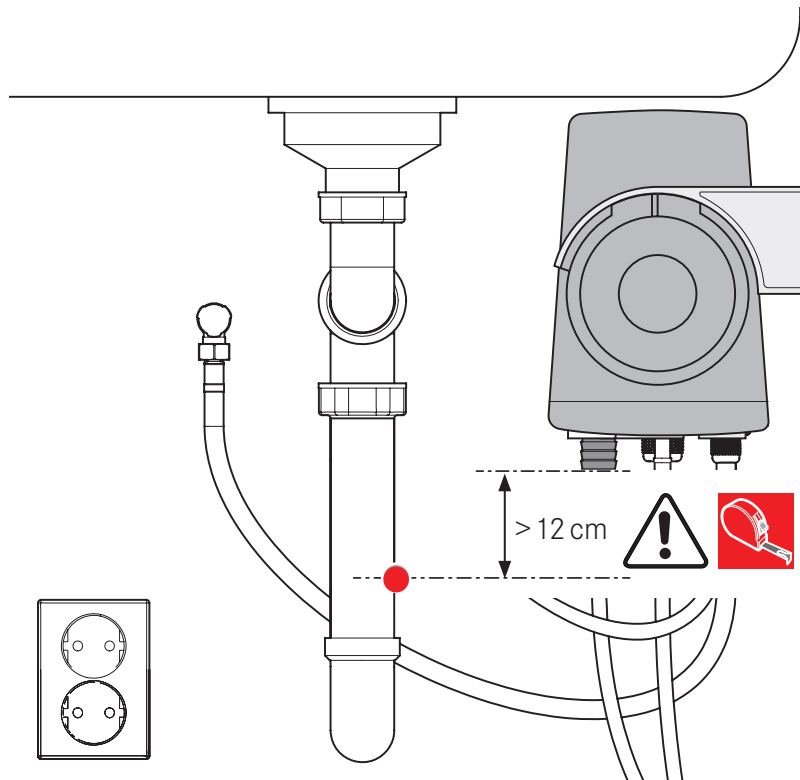


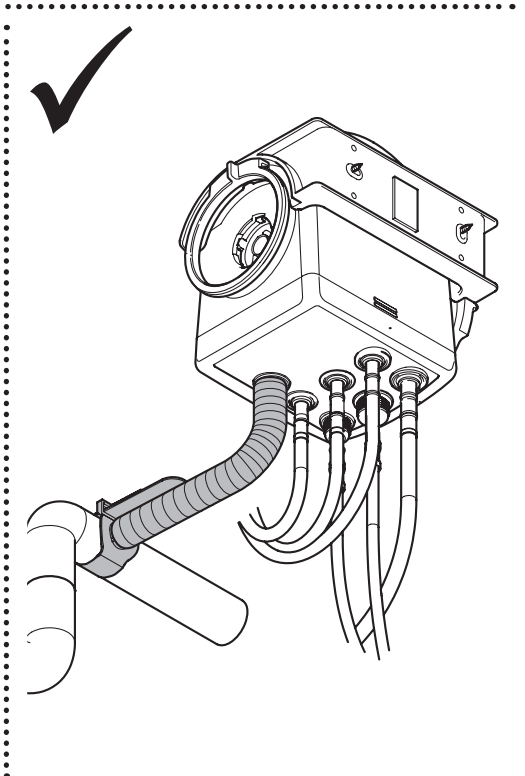
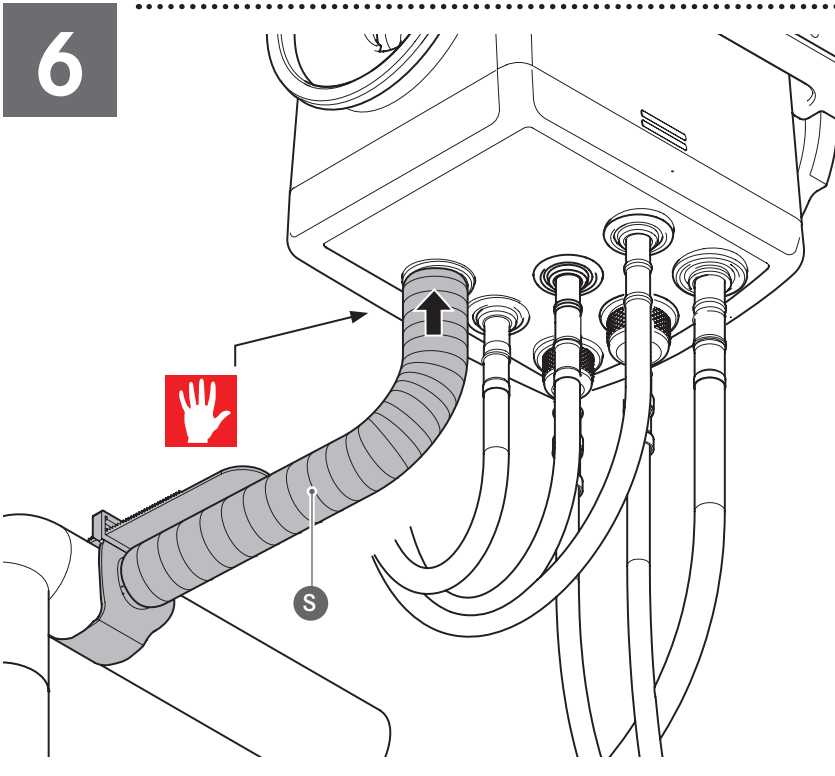
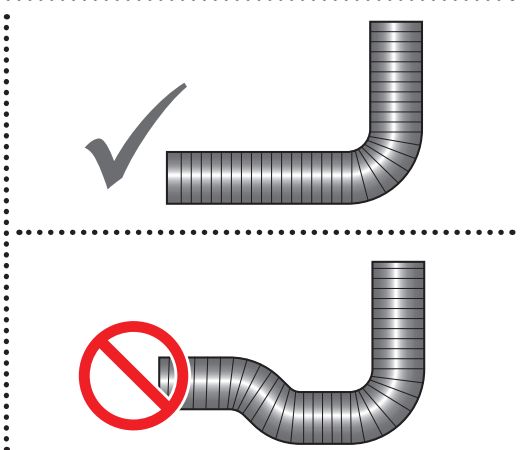
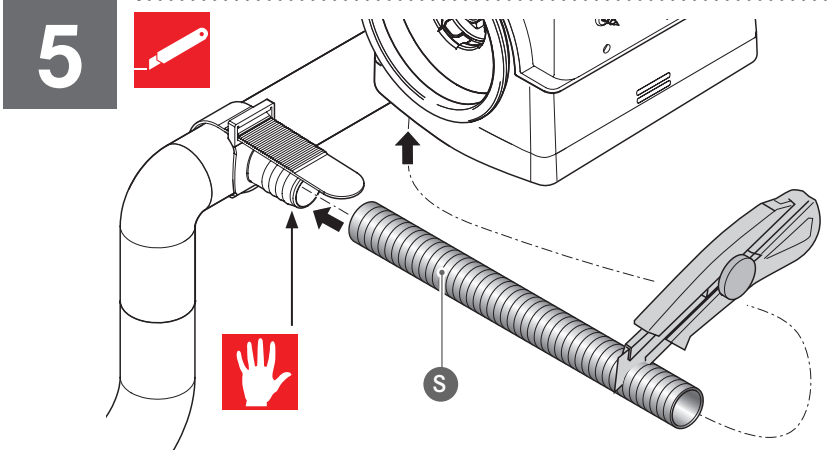
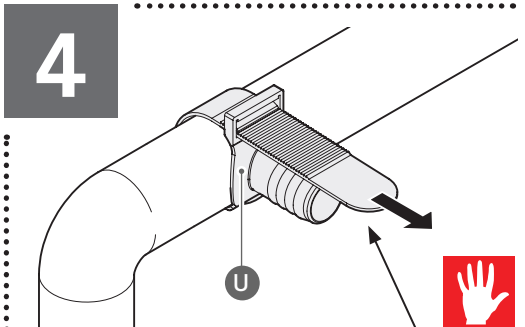
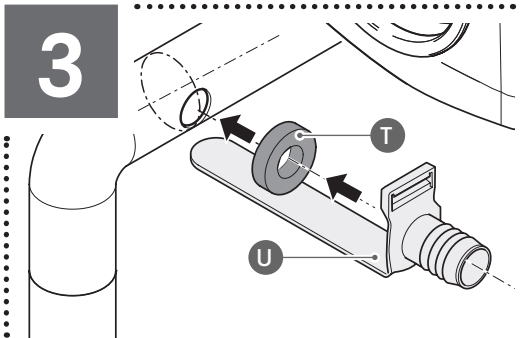
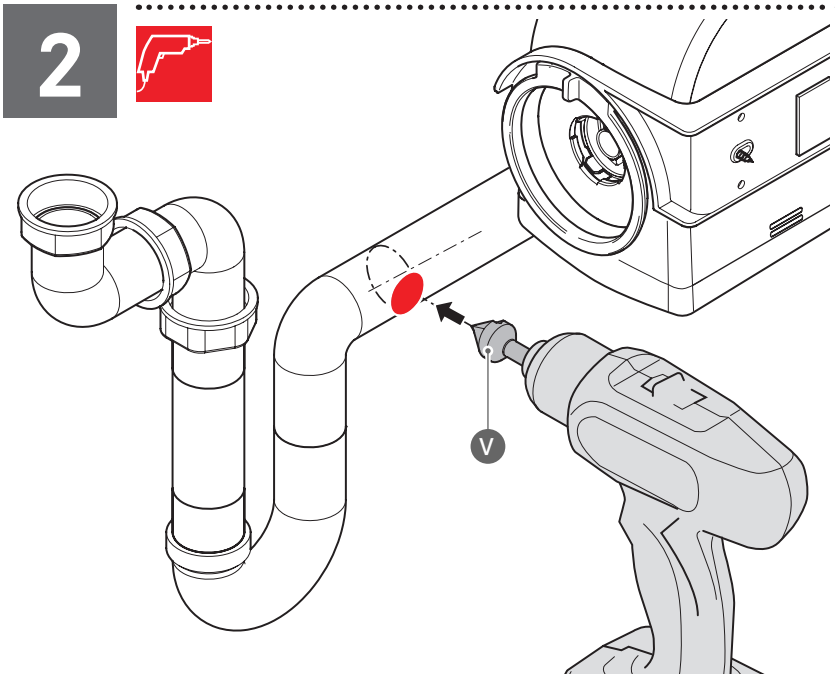
2

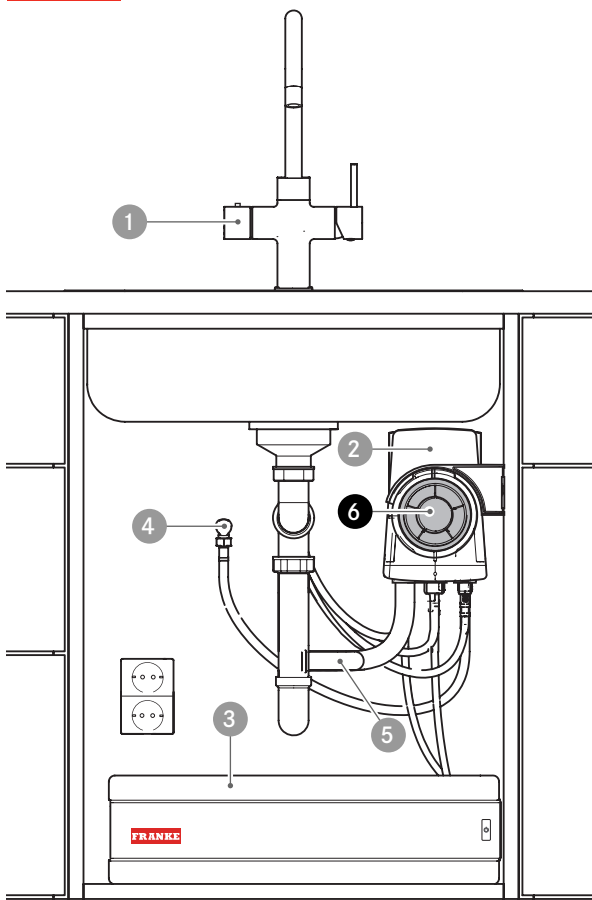




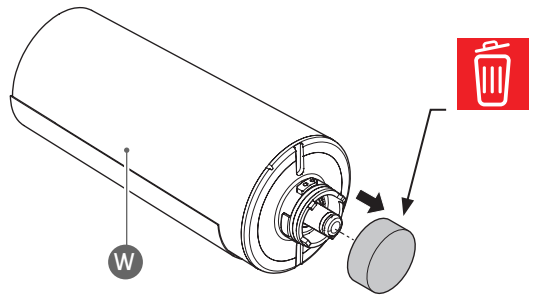
1



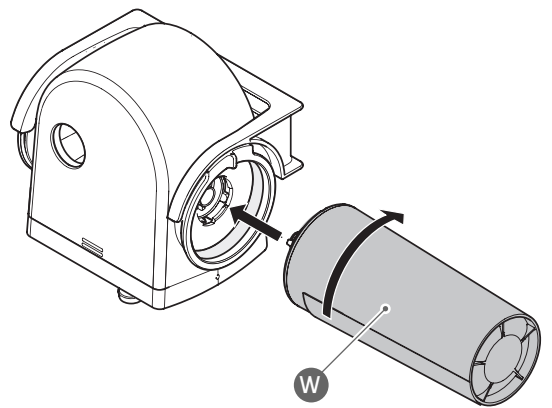




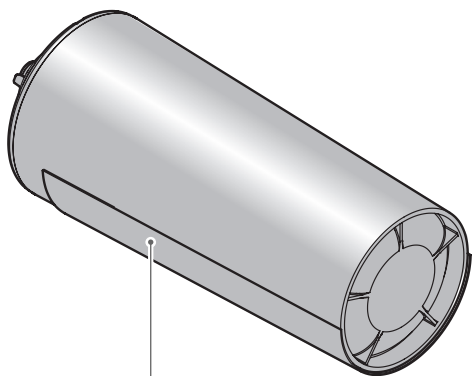
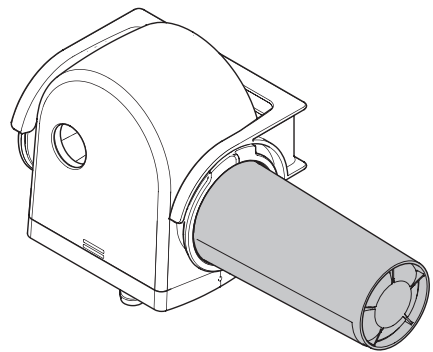
1



2

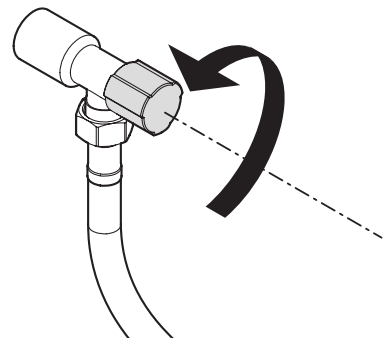


3



W 120.0305.558

4



5

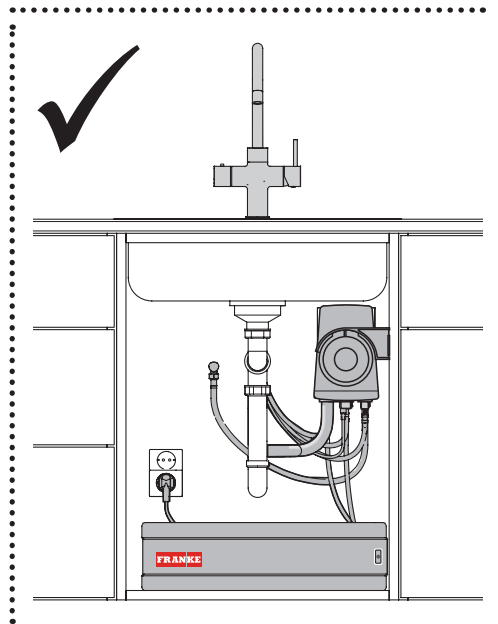
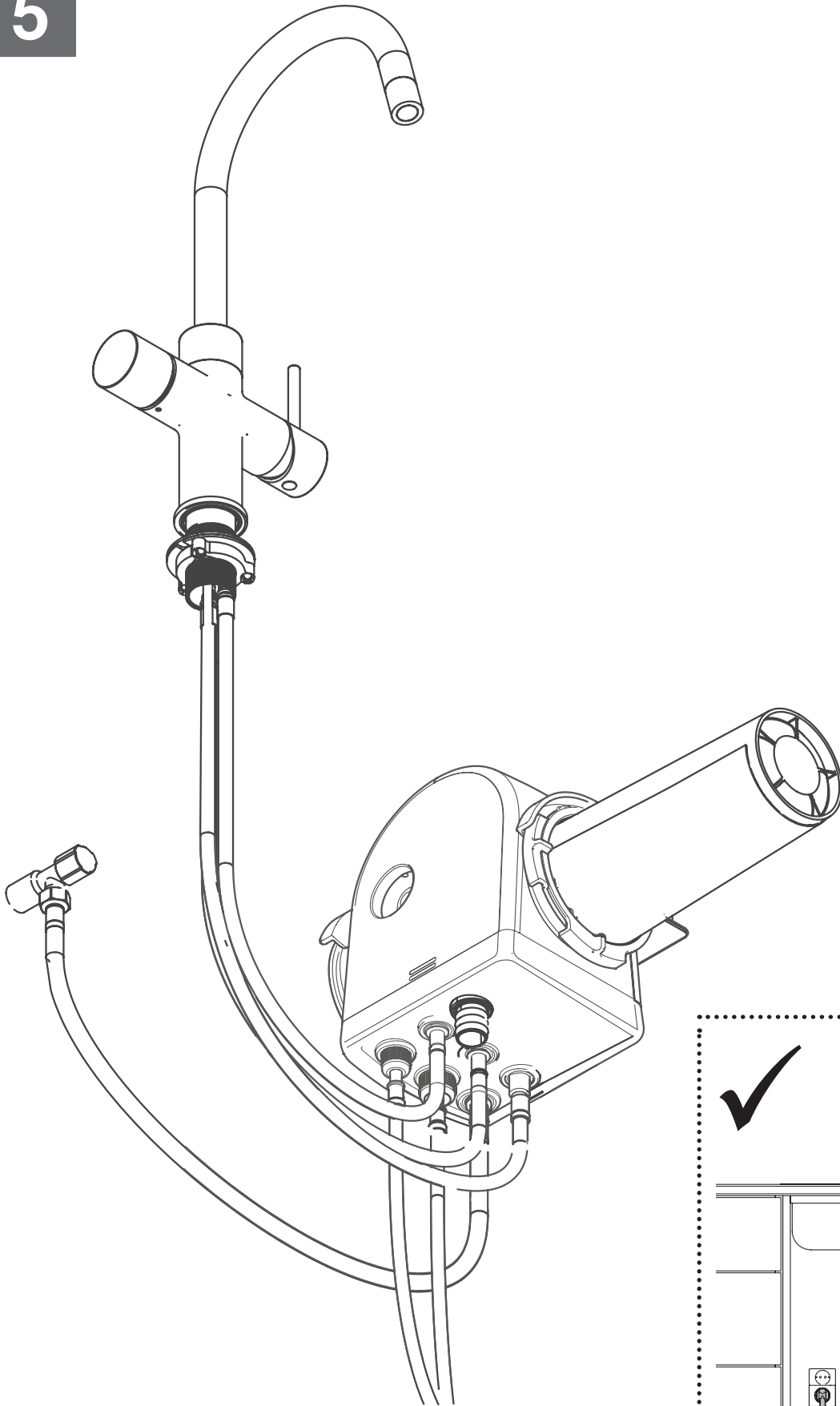


TABLE OF CONTENTS

About this manual	19
Safety information	19
General	19
3-in-1 tap	20
Boiler	20
M Box	20
Filter cartridge	20
Water quality requirements	20
Installation instructions	20
Product Information	21
System	21
3-in-1 tap	21
Boiler	22
M-Box	22
Installation instructions for push fitting	23
Icon legend	23
Installation	24
General starting points for installation	24
Installation video	24
Installation steps	24
Switching on for the first time	25
Flushing	25
Operation	26
Operation of mixer lever	26
5 litre boiler status indicator LED	26
Boiler ECO mode	27
Emptying boiler	27
Messages and Malfunctions	28
Boiler messages	28
Reset maximum protection of 10 litre boiler	28

Troubleshooting	29
Maintenance	31
General maintenance	31
Replacing filter cartridge	31
Descaling tap sieve	31
M-Box	31
Disposal	32
Declaration of Conformity	32

DR
RA
FE
T
Y
O
N
L
Y

ABOUT THIS MANUAL

This manual contains important information on the safe and proper installation and commissioning of the product.

FRANKE reserves the right to make modifications to the product without prior notice. All information correct at time of issuance.

- ▶ Carefully read the user manual before using the device.
- ▶ Keep the user manual.
- ▶ Use the device described in this user manual only according to the intended use.

Symbol	Meaning
	Warning symbol. Warning against risks of injury.
▷	Actions in safety and warning notes to avoid injury or damage.
▶	Action step. Specifies an action to be done.
■	Result. Result of one or more action steps.
✓	Precondition that has to be fulfilled before performing the following action.



Warning symbol. Warning against risks of injury.



Actions in safety and warning notes to avoid injury or damage.



Action step. Specifies an action to be done.



Result. Result of one or more action steps.



Precondition that has to be fulfilled before performing the following action.

SAFETY INFORMATION

General

Install the product as described in this manual and in accordance with the applicable installation, safety and local water supply regulations!

- ▷ Do not use the product for purposes other than those for which it is intended as described in this manual.
- ▷ The product must not be modified.
- ▷ This product and/or system may be operated by children above the age of 12 and by persons with reduced physical, sensory or mental capacities, or who lack the necessary experience or knowledge, only under supervision or after being instructed in the safe use of the product and when they are aware of the hazards that may arise from the use of the product and/or system.
- ▷ Cleaning and maintenance by the user must not be performed by children or by persons with reduced physical, sensory or mental capacities, or who lack the necessary experience or knowledge, without supervision.
- ▷ Prevent children from playing with the product and/or system.
- ▷ This product and or system is intended for use in domestic and similar environments, such as:
 - Staff kitchens in stores, offices and other working environments;
 - By guests in hotels, motels and other similar residential environments;
 - Bed and breakfast accommodation and other similar residential environments.
- ▷ Use in other environments in consultation with the manufacturer of the product and/or system.
- ▷ If the power lead with plug is damaged, it must be replaced by the manufacturer, the manufacturer's customer service or a qualified person in order to avoid risks.
- ▷ If necessary, lubricate O-rings only with silicone oil.
- ▷ In order to avoid freezing, the product may only be installed in frost-free rooms.
- ▷ Safety instructions must be observed in order to avoid physical injury and/or damage to the product and/or system.
- ▷ Maintenance instructions must be observed in order to avoid damage and excessive wear.
- ▷ As a result of the ongoing improvement of our products and/or systems, illustrations in this document may differ from the appliance as delivered.
- ▷ If available, you can download the latest version of the manual via our website: www.franke.com
- ▷ Franke cannot be held responsible for costs, damage or personal injury if the product is not operated in accordance with the instructions given in this manual.
- ▷ Tap, M-Box and boiler model may differ from the model illustrated in the manual.
- ▷ Ensure there is sufficient ventilation for the tank to avoid overheating

3-in-1 tap

- ▷ Avoid burns and scalding and pay attention when using hot water. The temperature of the hot water may be higher than 55°C.
- ▷ Avoid burns and scalding and pay attention when using boiling water. The temperature of the water may be higher than 100°C.
- ▷ Tiled and stone sinks will not withstand boiling water; the difference in temperature can cause these to crack. Always open the cold water tap when pouring out boiling water and preferably pour the boiling water directly into the drain.

Boiler

- ▷ Before commissioning, ensure that the boiler is filled with water.
- ▷ Never pick up or carry the boiler with the hoses or the mains lead.

M Box

- ▷ The appliance is not intended for connection to the hot water supply (hot-fill).
- ▷ The drain hose must be connected with a steady down gradient in order to ensure the correct function of the siphon in the M-Box. The connection point of the drain hose should be downline of the sink siphon.


Filter cartridge

- ▷ The use of a water filter is mandatory to protect the product against lime scale deposits.
- ▷ After storage at a temperature of 0°C, the filter must first be stored for 24 hours at room temperature before it is installed.
- ▷ The filter cartridge must not be opened or damaged.
- ▷ The filter cartridge and the system must be intensively flushed after a prolonged standstill period and/or during maintenance work (2 litres of flushing water after 1 week standstill; 10 litres of flushing water after 4 weeks' standstill).
- ▷ The filter cartridge must be replaced if, after commissioning, it has not been in operation for 3 months.

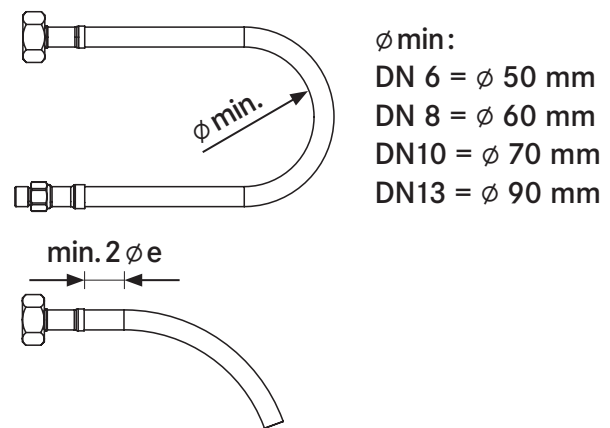
Water quality requirements

pH value	7 – 9.5
Iron content (Fe)	< 0.2 mg/l
Chlorine content (Cl)	< 150 mg/l
Conductivity	< 125 mS/m
Chemical additions	Not permitted

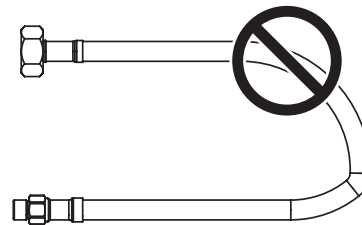
Installation instructions

 NEVER use serrated tools in order to avoid damage. Where necessary, always use the appropriate tools for tightening the coupling.

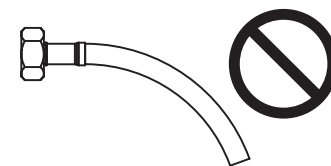
- ▷ Minimum bending radius after installation



- ▷ Without bends after installation



- ▷ Without bend immediately after connection



- ▷ Without tension after installation



- ▷ Without torsion after installation



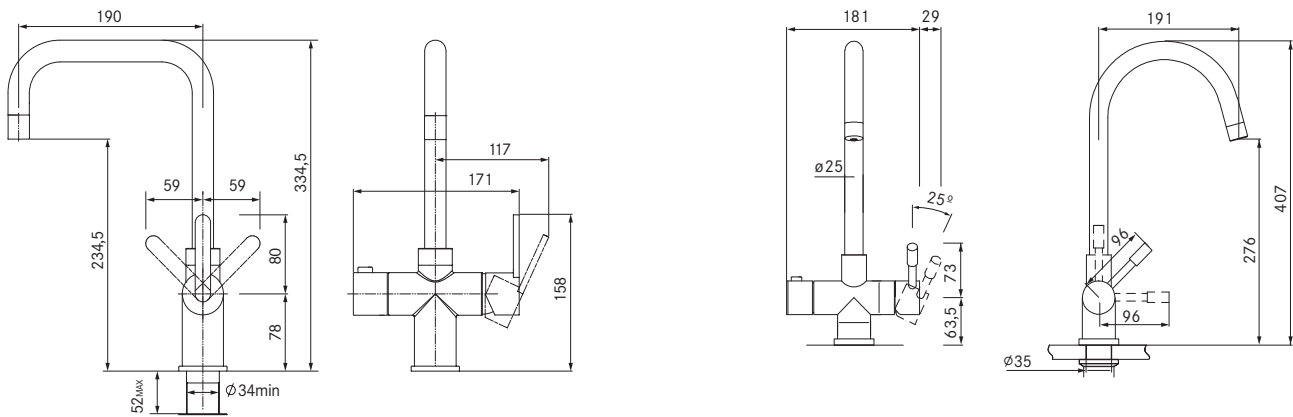
PRODUCT INFORMATION

System

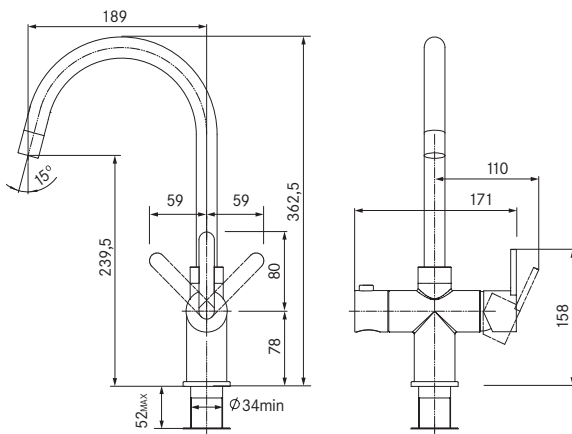
Water supply pressure (min.)	200 kPa / 29 psi / 2 bar
Water supply pressure (max.)	400 kPa / 58 psi / 4 bar
Flow rate boiling water	2 - 4 l/min *
Flow rate cold water	5 - 9 l/min *
Flow rate hot water	5 - 9 l/min *

* The flow rate varies, depending on the water supply pressure and the type of tap.

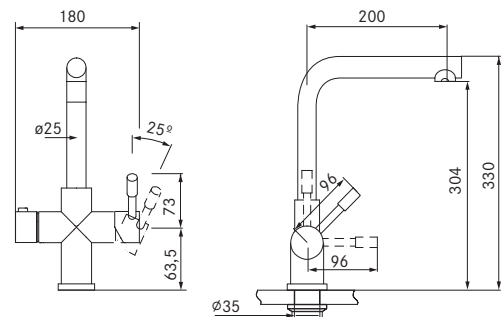
3-in-1 tap



Irena 3-in-1



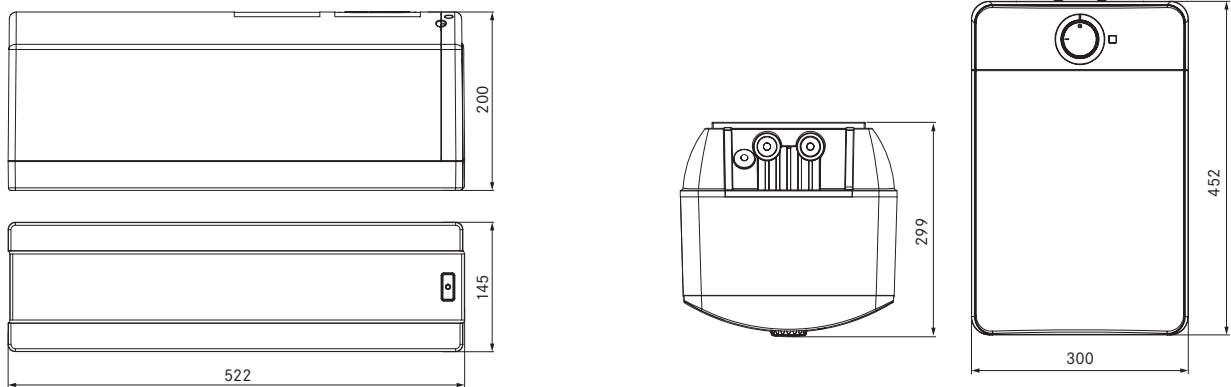
Helix 3-in-1



Minerva 3-in-1

Mondial 3-in-1

Boiler



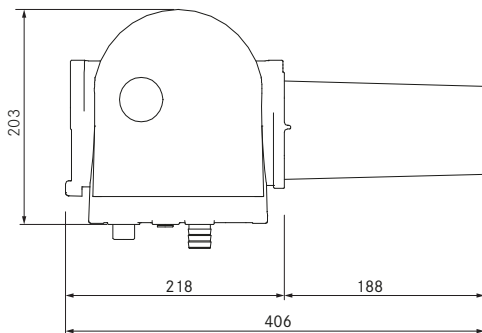
5 litre boiler

10 litre boiler

Boiler	5 litre	10 litre
Dimensions [H x W x D]	145 x 522 x 200 mm	452 x 300 x 285 mm
Contents	4.7 l	10 l
Voltage	230 VAC	230 VAC
Power	1500 W	2200 W
Load	7.0 A	10 A
Energy consumption at standstill	25 W	28 W
IP classification	IP 24D	IP 24D
Storage temperature	115°C	108°C
Delivered water temperature	60° (±5)* and 100°C	60° (±5)* and 100°C
Heating time [ΔT 100 K]	23 min	35 min.
Operating pressure (max.)	600 kPa / 87 psi / 6 bar	600 kPa / 87 psi / 6 bar
Suitable for hot-fill **	No	No

** The system must always be connected to a cold water supply.

M-Box



M-box

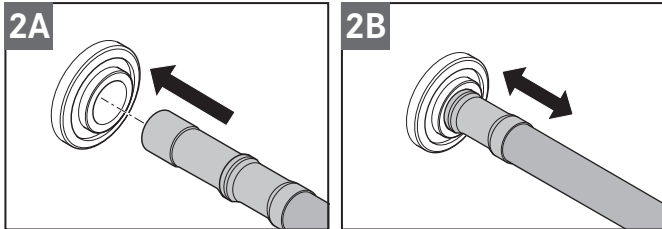
Temperature of mixed water	55°C
Maximum water pressure	400 kPa / 58 psi / 4 bar
Filter system	Franke Pro M filter
Filter cartridge dimensions [h x w]	245 x 95 mm
Ambient temperature	4 - 30°C

Please note that some parts may not be available in your country.

Installation instructions for push fitting

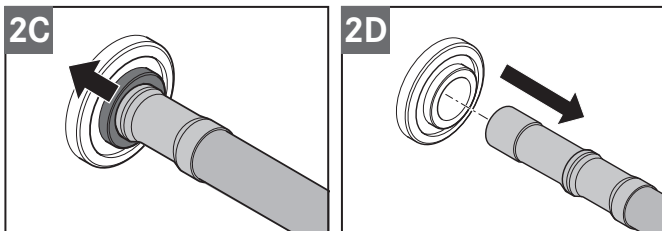
Installing the push fitting

- ▶ Push the hose into the push fitting (fig. 2A).
- ▶ Pull the hose carefully up and down and check whether it is fitted securely (fig. 2B).



Remove the push fitting

- ▶ Push in the ring on the push fitting (fig. 1C).
- ▶ Pull the hose out of the push fitting (fig. 1D).



Icon legend



Product information



Scope of Delivery



Montage



Tooling Equipment



Do not use tools



Measure



Drill



Screw



Spanner



Cut



Tighten finger-tight



Check push fitting



Warning Sign / Caution / Hazard



Inspect



Determine position



Open



Close



Discard



Do not / Forbidden result



Do, OK! / Result



Installation step successfully completed



url / video link

INSTALLATION

General starting points for installation

Perform the following steps before starting installation.

- ▷ Stop valves must already be installed. See Option at page 9/10, if stop valves have not been installed.
- ▷ Close the stop valves.
- ▷ In existing installations, remove the tap, hoses and boiler if still in place.
- ▷ Mark the existing cold and hot water connection.
- ▷ Do not connect the M-Box to a hot water pipe.
- ▷ There must be two wall plug sockets available for connection.

Installation video

https://youtu.be/4KPGVG_MoZg



Installation steps

- ▶ **Installing 3-in-1 tap** (see page 2)
- ▶ **Installing M-BOX** (see page 4)
- ▶ **Installing 5 or 10 litre boiler** (see page 6)
- ▶ **Connecting 3-in-1 tap** (see page 9)
- ▶ **Connecting 3-in-1 tap with hot water out of existing pipe** (see page 11)
- ▶ **Connecting the drain line** (see page 12)
- ▶ **Commissioning** (see page 14)

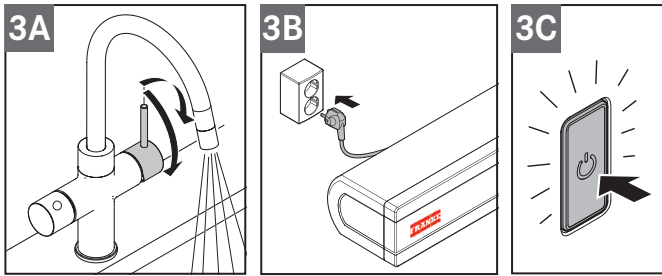
SWITCHING ON FOR THE FIRST TIME

Flushing

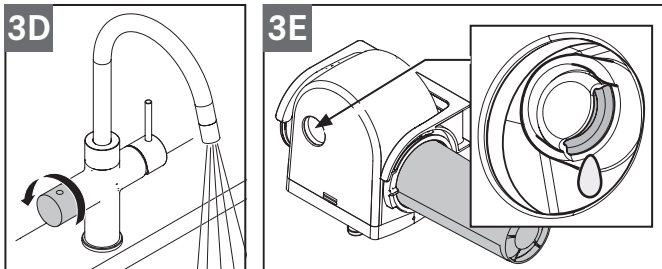
- ✓ Ensure that the boiler is filled with water!

5 litre boiler

- ▶ Operate the mixer tap and flush with warm water for 1 minute (fig. 3A).
- ▶ Insert the plug into the wall plug socket, the LED lights up white (fig. 3B).
- ▶ Switch on the boiler, the LED lights up blue (fig. 3C).



- ✓ Water reaches boiling temperature after 25 minutes.
- ▶ Push and turn the selector knob and flush with boiling and filtered water (fig. 3D; see 'Operation of selector knob')
- ▶ Inspect the installation for leaks after commissioning (fig. 3E).

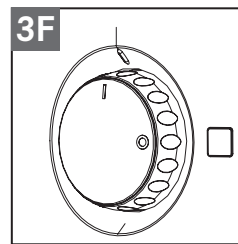


⚠ WARNING: If, during heating, no expansion water has escaped after 10 minutes: Switch off the power supply immediately and turn on the boiling water tap to relieve the water pressure.

- ▶ Flush hot water for 1 minute.
- ▶ Flush boiling water until the water is cold.
- ▶ Repeat the process three times to flush the complete system.

10 litre boiler

- ▶ Operate the mixer tap and flush with warm water for 1 minute (fig. 3A).
- ▶ Insert the plug into the wall plug socket.
- ▶ Turn the ON/OFF knob to position „I” (fig. 3F) to switch the boiler **ON**. The water will now be heated.



The status of the boiler is signalled by a lamp alongside the rotary knob. When the water is being heated, this lamp lights up red.

- ✓ Water reaches boiling temperature after 35 minutes.
- ▶ Push and turn the selector knob and flush with boiling and filtered water (fig. 3D; see 'Operation of selector knob')
- ▶ Inspect the installation for leaks after commissioning (fig. 3E).

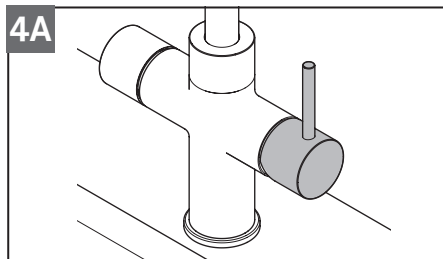
⚠ WARNING: If, during heating, no expansion water has escaped after 10 minutes: Switch off the power supply immediately and turn on the boiling water tap to relieve the water pressure.

- ▶ Flush hot water for 1 minute.
- ▶ Flush boiling water until the water is cold.
- ▶ Repeat the process three times to flush the complete system.

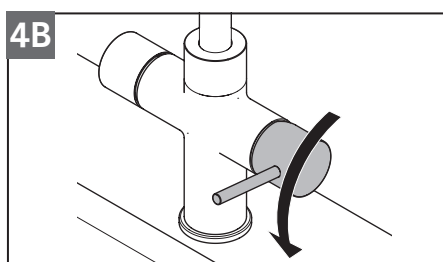
OPERATION

Operation of mixer lever

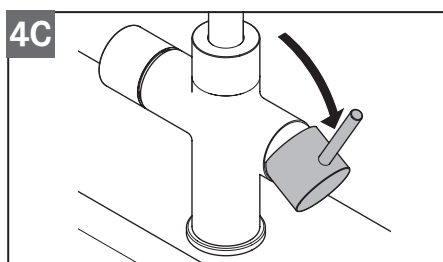
- ▶ Select cold water (fig. 4A).



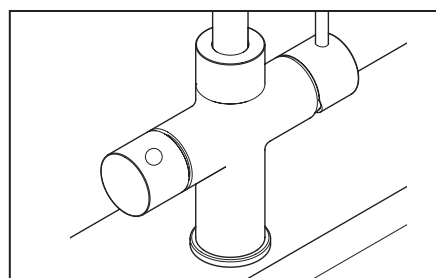
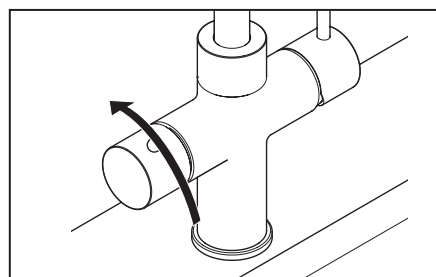
- ▶ Select hot water (fig. 4B).



- ▶ Turn on mixer tap (fig. 4C).



Operation of selector knob



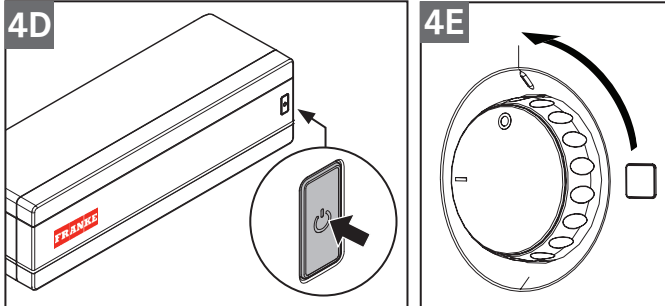
- ▶ Hold the object to be filled close to the tap so that the object surrounds the delivery opening of the tap. This will prevent (hot) water from splashing.
- ▶ For the optimum result when making coffee or tea, allow around 1 cup of water to run out before filling the pot. In this way the air bubbles in the water disappear so that no foam forms on the surface of the tea.

5 litre boiler status indicator LED

LED colour (normal)	LED colour (ECO mode)	LED action	Boiler status	Description
White	White	Steady	Boiler OFF	Wait mode
Blue	Pale blue	Steady	Boiler ON - water cold	Water temperature < 45 °C
Orange	Violet	Steady	Boiler ON - water hot	45°C < Water temperature < 103°C
Red	Pink	Steady	Boiler ON - water boiling	Water temperature > 103°C
Green	Green	Steady	ECO mode	Water is not heated unless water temperature is < 50°C

Boiler ECO mode

- ▶ Switch on ECO mode:
 - Hold depressed for 4 seconds, LED is green.
- ▶ Switch off ECO mode:
 - Hold depressed for 10 seconds, LED is not green.



When the boiler is switched on, the temperature of the water is automatically held constant so that boiling water is available at any time of the day. In order to prevent the temperature of the boiler being unnecessarily held constant, you can use the energy-saving ECO mode. After activation, ECO mode comes into operation every day at the same time. The duration of ECO mode is 6 hours and the LED should light up green during this time. If using a Switch, the setting of the ECO mode should be cancelled when the boiler is switched off. ECO mode then has to be set again.

Note: Before commissioning the boiler, see "Flushing".

Switching off the boiler

5 litre boiler:

- ▶ Press the **ON/OFF** knob; the LED lights up white (fig 4D).
- ▶ Remove the plug from the plug socket.

10 litre boiler:

- ▶ Turn the **ON/OFF** knob to the „O” position (fig 4E).
- ▶ Remove the plug from the plug socket.

Emptying boiler

- ✓ Remove the plug of the boiler from the wall plug socket.
- ✓ Turn on the boiling water tap.
- ✓ Wait until cold water runs out.
- ✓ Turn off the boiling water tap.
- ✓ Close the stop valve.
- ✓ Turn on the boiling water tap.
- ✓ Wait until water no longer runs out.
- ✓ Turn off the boiling water tap.
- ✓ Disconnect the lines from the boiler.
- ▶ Remove the boiler.
- ▶ Allow the water from the hoses and the boiler to drain into the sink.

MESSAGES AND MALFUNCTIONS

Boiler messages

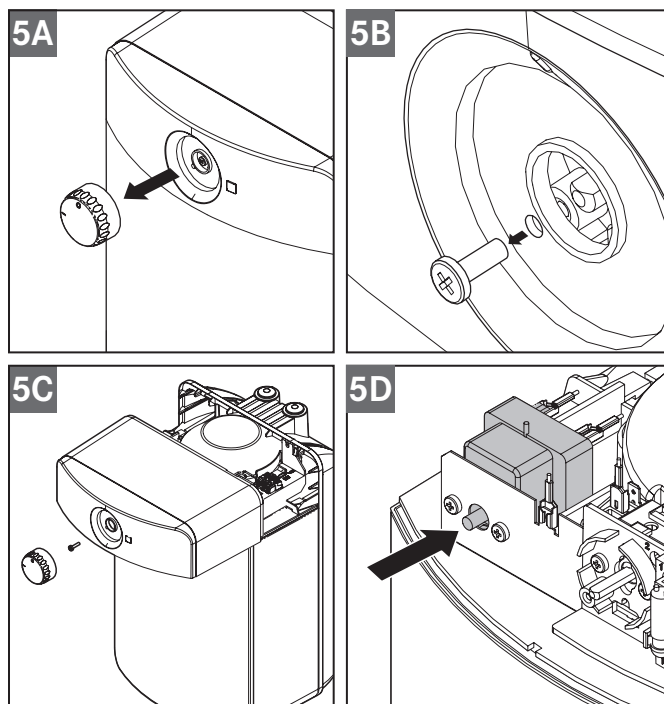
Boiler malfunction LED

LED colour	LED action	Description
Red	1 second on / 1 second off	Hardware fault
Red / white	1 second red / 1 second white	Hardware fault - sensor is defective
Red / yellow	1 second red / 1 second yellow	Boiled dry - no water in the boiler
Red / green	1 second red / 1 second green	Boiler is upside down or installed upright
Red / orange	1 second red / 1 second orange	Maximum protection has tripped - boiler too hot (*)

*) Switch off the boiler and contact Customer Services.

Reset maximum protection of 10 litre boiler

- ✓ This work may only be carried out on instruction from Franke.
- ✓ If the boiler was switched on while it was not filled with water, you must not reset the boiler. In this case the thermostat and the maximum protection device must be replaced. Contact Franke or your installation company.
- ✓ Switch the boiler OFF.
- ✓ Remove the plug of the boiler from the wall plug socket.
- ✓ Remove the ON/OFF knob by pulling it forwards (fig. 5A).
- ✓ Loosen the screw behind the ON/OFF knob (fig. 5B).
- ✓ Remove the protective cap by carefully pushing forwards (fig. 5C).
- ✓ Reset the maximum protection device by pressing the button (fig. 5D)
- ✓ Carefully fit the protective cap again. Take care that the wiring is not trapped.
- ✓ Insert and tighten the screw.
- ✓ Push the ON/OFF knob onto the shaft again.
- ✓ Ensure that the boiler is filled with water.
- ▶ Insert the plug into the plug socket.
- ▶ Switch the boiler ON.



Reset message of 5 litre boiler

Reset the boiler if an error message is displayed.

- ▶ Hold the ON/OFF knob depressed for 5 seconds. The message is reset and the boiler switches OFF.
- ▶ Now turn the boiler ON again.

If the same error message appears again, switch off the boiler and contact Franke or your installation company.

TROUBLESHOOTING

Water leaks

Cause	Remedy
Connection leaking	Inspect the coupling(s) and re tighten, if necessary
Hose(s) leaking	Inspect the hose(s) and replace the leaking hose(s)
Boiler leaking	Remove the plug of the boiler from the wall plug socket. Shut off the water supply. Contact Franke.
Tap leaking	Shut off the water supply. Contact Franke.
M-Box leaking	Remove the plug of the M-Box and the boiler from the wall plug socket. Shut off the water supply. Contact Franke.

Tap supplies no water

Cause	Remedy
Hose(s) kinked	Inspect the hose(s) and straighten the kinked hose(s)
The main water valve is closed	Open the main water valve
The stop valve in the kitchen cabinet is closed	Open the stop valve.
Filter not installed in M-Box	Install filter in the M-Box.

Tap supplies no boiling water

Cause	Remedy
Hose(s) kinked	Inspect the hose(s) and straighten the kinked hose(s)
The M-Box is defective	Contact Franke.

The water from the tap is not boiling

Cause	Remedy
The plug of the boiler has not been inserted into a wall plug socket.	Insert the plug into an earthed wall plug socket.
The wall plug socket has no power supply	Check the electricity grid and repair the interruption. The electric circuit has failed due to an excessive load. The boiler cannot be connected to the same electric circuit as a dishwasher.
The boiler is OFF (wait mode)	Switch the boiler ON.
The boiler has not heated up completely.	Wait until the boiler has heated up.
The boiler has a fault.	Reset the boiler.
The boiler is defective	Contact Franke.
The M-Box is defective.	Contact Franke.

Tap supplies no hot water

Cause	Remedy
Hose(s) kinked.	Inspect the hose(s) and straighten the kinked hose(s).
Boiler not functioning.	See table “The water from the tap is not boiling”
Hot water appliance not functioning. (if hot water is not being used from the M-Box)	Consult the manual of your hot water appliance.

The boiler causes a short-circuit

Cause	Remedy
There is a short-circuit in the electric wiring or the heater element of the boiler.	Remove the plug of the boiler from the wall plug socket. Contact Franke.

The boiler causes a short-circuit. No expansion water from the M-Box

Cause	Remedy
No water in the boiler.	Fill the boiler with water.
The boiler is OFF (wait mode)	Switch the boiler ON.
The boiler has a fault.	Reset the boiler.
The boiler is defective	Contact Franke.
Pressure relief valve in the M-Box is defective.	Remove the plug of the M-Box and the boiler from the wall plug socket. Shut off the water supply. Contact Franke.

MAINTENANCE

General maintenance

- ▷ Clean the tap only with a little detergent and a damp cloth. Then rinse the tap with some water and wipe it down with a dry cloth.
- ▷ Do not use cleaning agents containing a solvent or acid, such as lime scale removers, household vinegar or cleaning agents with acetic acid. These substances damage the surface. The tap will become matt and scratched.
- ▷ Lime scale deposits can be prevented by drying the tap after use.
- ▷ If lime scale deposits nevertheless occur, remove these using a citric acid-based cleaning agent.
- ▷ Check regularly whether water drips out of the inlet combination. This dripping is a sign that the inlet combination is (still) working correctly.
- ▷ Always use original Franke parts for maintenance or repair. This guarantees the safety and proper function of the product and safeguards any warranty claims.
- ▷ Replacement or repair of parts may only be carried out by an approved servicing company or by Franke Service.

Replacing filter cartridge

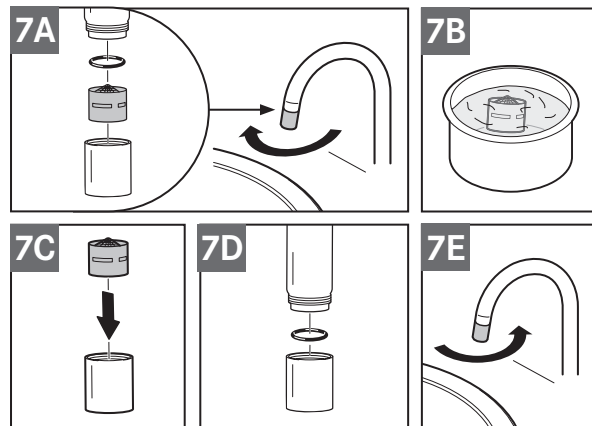
Filter (120.0305.558) lifespan

Water hardness (°DH)	Months
<10°DH	12
10-18°DH	9
>18°DH	6

- ▷ The filter cartridge must be changed at regular intervals. Neglecting to change the filter as indicated by this manual may invalidate your warranty.

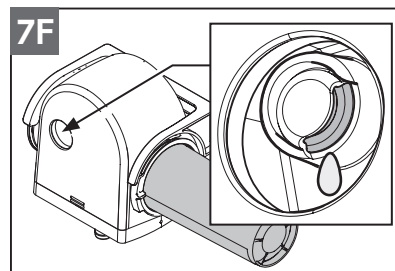
Descaling tap sieve

- ▷ **Always use a citric acid-based descaling agent.** Other substances will damage the material!
- ▷ Loosening and tightening can be made easier by wrapping an elastic band around the sleeve of the tap sieve. Take care that the sleeve of the tap sieve is not damaged by the use of tools.
- ▷ Over the course of time, lime scale deposits will appear on and alongside the tap sieve (aerator). Unscrew the sleeve of the tap sieve (fig. 7A).
- ▶ Clean the tap sieve using a suitable descaling agent (fig. 7B).
- ▶ Place the tap sieve into the sleeve (fig. 7C).
- ▶ Place the gasket onto the tap sieve (fig. 7D) and screw on the sleeve finger-tight (fig. 7E).



M-Box

- ▶ Check regularly whether water drips out of the pressure relief valve. This dripping is a sign that the inlet combination is (still) working correctly (fig. 7F).



DISPOSAL



The symbol on the product or on the packaging indicates that the device must not be disposed of in the domestic waste.

By disposing of the device in a proper way you help to avoid harmful consequences to environment and health.

Further information about recycling the device is available from the competent authority, the local refuse disposal service or the vendor of the device.

- ▷ Dispose of the device, which is to be discarded, via a specialised waste collection point for electronic and electrical devices.

In accordance with the article of Legislative Decree no. 15 dated 25 July, Implementation of Directive 2002/96/EC regarding the reduction of the hazardous substances used in electrical and

electronic appliances, and waste disposal". The barred dustbin symbol on the appliance indicates that at the end of its working life the product must not be disposed of as household waste.

Consequently, when the appliance has reached the end of its working life the user must take it to a suitable recycling centre for electronic and electrotechnical waste, or return it to the dealer when purchasing a new appliance of equivalent type. Proper separate waste collection of the scrapped appliance for subsequent recycling, treatment and environmentally-friendly disposal helps prevent a potentially negative impact on the environment and health and facilitates recycling of the materials used in appliance construction.

DECLARATION OF CONFORMITY

Franke declares that the following products:
Boiler 5 litres and Boiler 10 litres are in conformity with the following specifications:

EN 60335-1:2002 incl. A1:2004, A11:2004

A12:2006 en/ et A2:2006

EN 60335-2-21: 2003, incl A1 en A2:2008

EN 62233: 2008

Degree of protection: IP24D (EN 60529)

These products are in conformity with the rules of the low voltage guideline 2006/95/EC and EMC guideline 2004/108/EC

Argentina

Industrias Spar San Luis S.A.
Buenos Aires 1008
Phone +54 11 4311 7655

Belgium

Franke N.V.
9400 Ninove
Phone +32 54 310 111

Brazil

Franke Sistemas de Cozinhas do Brasil Ltda.
89219-512 Joinville, SC
Phone +55 47 3431 0501

Canada

Franke Kindred Canada Limited
Midland, ON L4R 4K9
Phone +1 866 687 7465

China

Franke (China) Kitchen Systems Co., Ltd.
Heshan, Guangdong, 529700
Hotline 400 882 9898

Czech Republic

Franke s.r.o.
190 00 Praha 9
Phone +420 281 090 411

Denmark

Franke Kitchen Systems Denmark
8520 Lystrup
Phone +45 8624 9024

Egypt

Franke Kitchen Systems Egypt S.A.E.
6th of October City
Hotline 16828

Finland

Franke Finland Oy
76850 Naarajärvi
Phone +358 15 341 11

France

Franke France S.A.S.
60230 Chambly
Phone +33 130 289 400

Germany

Franke GmbH
79713 Bad Säckingen
Phone +49 7761 52 0

Greece

Franke Hellas S.A.
19003 Markopoulo Attikis (Athens)
Phone +30 22991 500 00

Hong Kong SAR

Franke Asia Hong Kong Office
Causeway Bay
Phone +852 3184 1900

India

Franke Faber India Limited
Aurangabad - 431 136
Phone 1800 209 3484

Italy

Franke S.p.A.
37019 Peschiera del Garda
Numero Verde 800 359 359

Kazakhstan

Franke Kazakhstan Ltd.
040918 Almaty City
Phone +7 727 297 3812

Morocco

Franke Kitchen System SARL
21 000 Casablanca
Phone +212 522 674 200

Norway

Franke Kitchen Systems Norway
8520 Lystrup, Denmark
Phone +47 35 566 450

Poland

Franke Polska Sp. z o.o.
05-090 Raszyn
Phone +48 22 711 6700

Portugal

Franke Portugal S.A.
2735-531 Cacém
Phone +351 21 426 9670

Romania

Franke Romania SRL
Pantelimon 077145
Phone +40 21 350 1550

Russia

Franke Russia GmbH
199106 St. Petersburg
Phone +7 812 703 1540

Slovak Republic

Franke Slovakia s.r.o.
010 01 Žilina
Phone +421 41 733 6200

South Africa

Franke South Africa
Durban 4052
Phone +27 31 450 6300

Spain

Franke España S.A.U.
08174 Sant Cugat del Vallès
Phone +34 93 565 3535

Sweden

Franke Futurum AB
930 47 Byske
Phone +46 912 405 00

Switzerland

Franke Küchentechnik AG
4663 Aarburg
Phone +41 800 583 243

Thailand

Franke (Thailand) Co., Ltd.
Bangkok 10110
Phone +66 2 013 7900

The Netherlands

Franke Nederland B.V.
5700 AD Helmond
Phone +31 492 585 111

Turkey

Franke Mutfak ve Banyo
Sistemleri Sanayi ve Ticaret A.S.
41400 Gebze Kocaeli
Phone +90 262 644 6595

Ukraine

Franke Ukraina LLC
02081 Kyiv
Phone +38 044 492 0015

United Arab Emirates

Franke LLC
Ras Al Khaimah
Phone +971 7 203 4700

United Kingdom

Franke UK Ltd.
Manchester M22 5WB
Phone +44 161 436 6280

USA

Franke Kitchen Systems LLC
Smyrna, TN 37167
Phone 800 626 5771